



# WORLDWIDE ELECTRIC MOTOR DATA SHEET



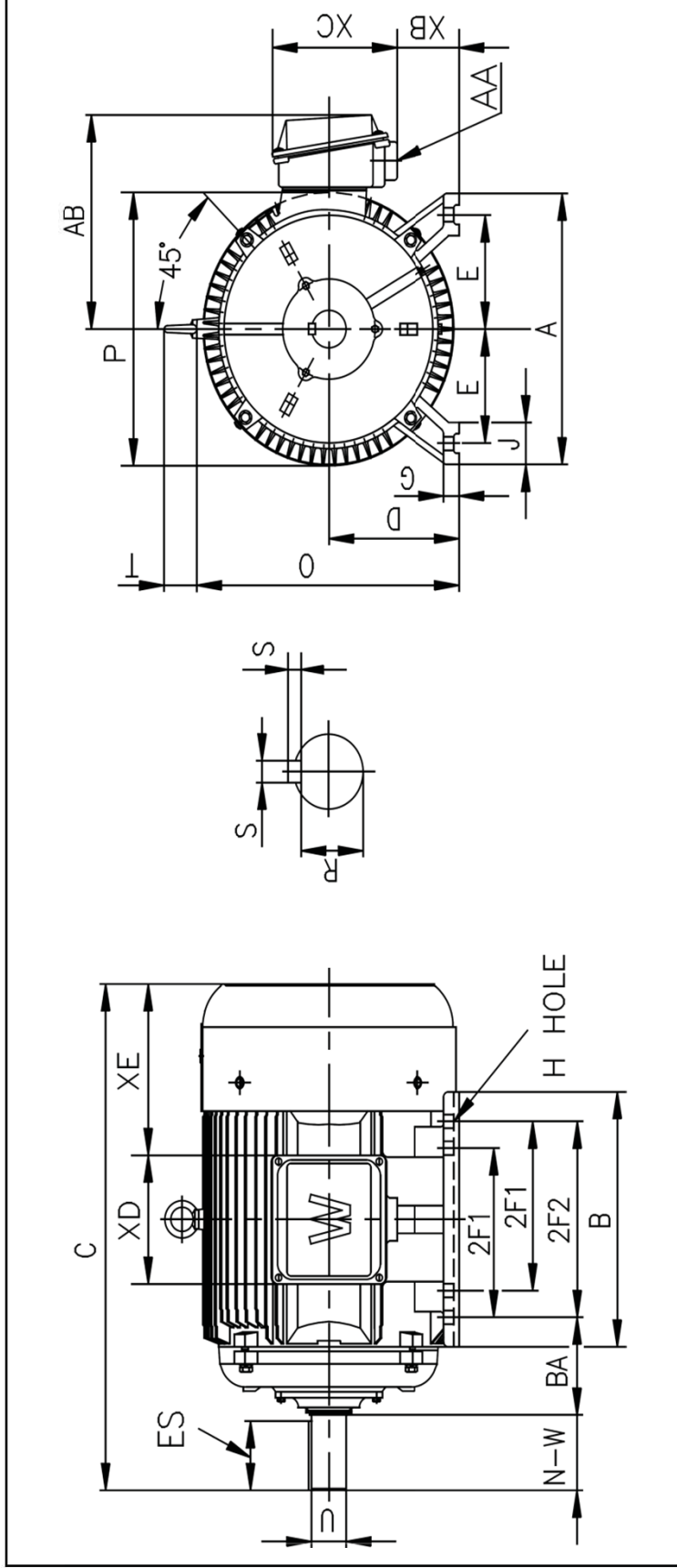
## WO10-12-256T

HP	10	
RPM / POLES	1200 / 6	
VOLTAGE / PHASE	230 / 460 / 796 V 3	
FRAME	256T	
ENCLOSURE	TEFC (IP55)	
FREQUENCY	60 HZ	
RATED SPEED	1135 RPM	
FULL LOAD AMPS	28.0 / 14.0 / 8.1 A	
DUTY CYCLE	CONTINUOUS	
SERVICE FACTOR	1.15	
INSULATION CLASS	F	
AMBIENT TEMP.	40° C	
ALTITUDE	3300 FT.	
TEMP. RISE @ FULL LOAD	80° C	
DESIGN	D	
RATED TORQUE	46.5 LB. FT.	
LOCKED ROTOR TORQUE	330%	
BREAKDOWN TORQUE	330%	
LOCKED ROTOR AMPS (STARTING)	162 / 81.0 / 46.8 A	
IL / IN	5.7 / CODE H	
SLIP	5.30%	
NO LOAD CURRENT	12.8 / 6.4 / 3.7 A	
MAX. TIME LOCKED ROTOR (HOT)	20 SECONDS	
DE BEARING	6309	
ODE BEARING	6309	
REGREASING INT. - DE BEARING	13,400 HOURS (0.46 OZ.)	
REGREASING INT. - ODE BEARING	13,400 HOURS (0.29 OZ.)	
MOUNTING	F2 (F1 SUITABLE)	
ROTATION	CW / CCW	
MOMENT OF INERTIA	2.4 LB. FT. SQUARED	
C-FLANGE	---	
D-FLANGE	---	
SHAFT MATERIAL	1045 CARBON STEEL	
CONNECTION DIAGRAM	230 / 460 V - 12 LEAD Δ	
APPROX. WEIGHT	340 LBS.	
LOAD	POWER FACTOR	EFFICIENCY (%)
100%	0.79	87.0
75%	0.73	87.7
50%	0.63	86.6





WORLDWIDE ELECTRIC MOTOR DRAWING  
**WO-256T**



MOUNTING					
E	2F1	2F2	H	BA	P
5	8.25	10	0.53	4.25	12.6

A	B	C	D	G	J	O	P
12.5	12.5	25.06	6.25	0.787	2.76	12.89	12.6

KEY		KEYSEAT		SHAFT		TERMINAL BOX					
T	AA	AB	ES	R	N-W	U	XB	XC	XD	XE	
2.05	1.5	11.2	2.91	0.375	1.416	4	1.625	3	7.2	6.3	8.66

ALL DIMENSIONS IN INCHES