



# WORLDWIDE ELECTRIC MOTOR DATA SHEET



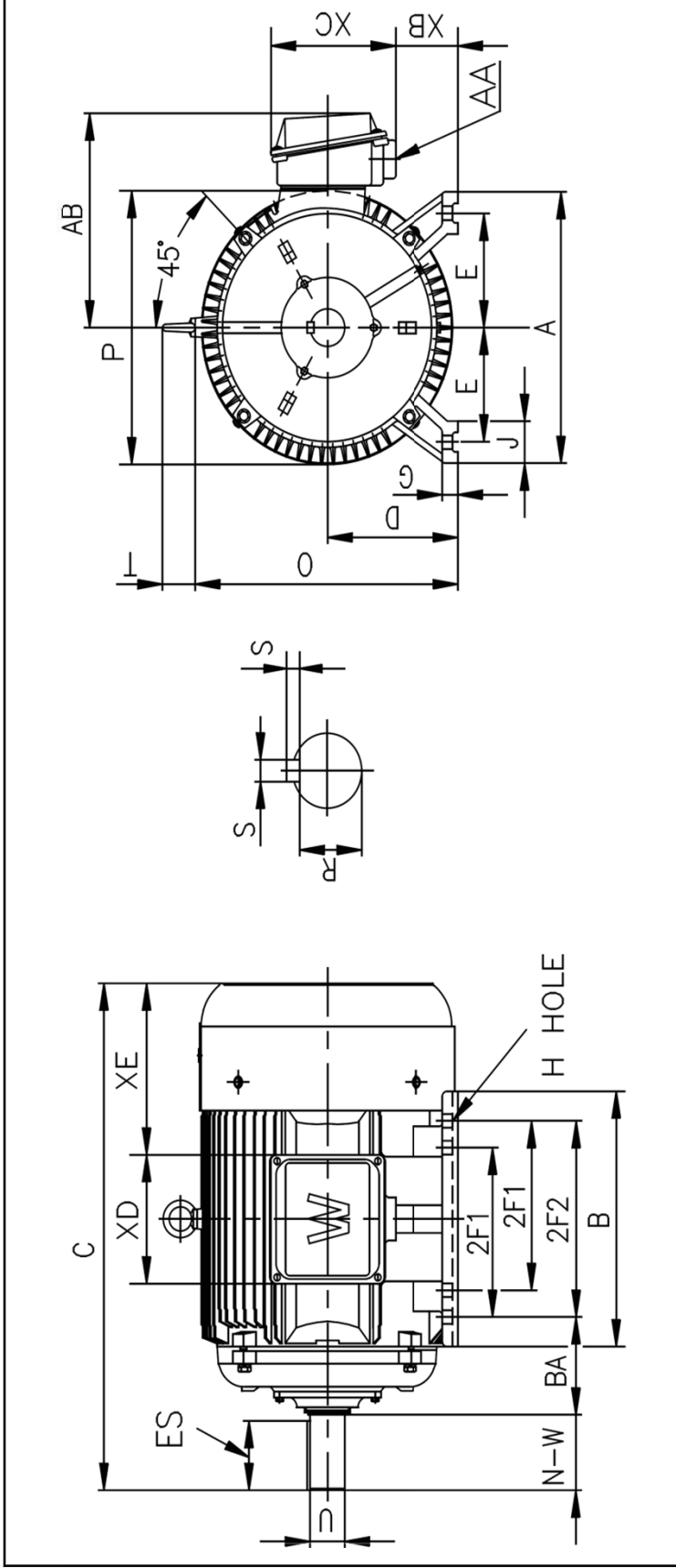
## WO100-12-445T

HP	100	
RPM / POLES	1200 / 6	
VOLTAGE / PHASE	230 / 460 / 796 V 3	
FRAME	445T	
ENCLOSURE	TEFC (IP54)	
FREQUENCY	60 HZ	
RATED SPEED	1130 RPM	
FULL LOAD AMPS	240 / 120 / 69.4 A	
DUTY CYCLE	CONTINUOUS	
SERVICE FACTOR	1.15	
INSULATION CLASS	F	
AMBIENT TEMP.	40° C	
ALTITUDE	3300 FT.	
TEMP. RISE @ FULL LOAD	95° C	
DESIGN	D	
RATED TORQUE	467 LB. FT.	
LOCKED ROTOR TORQUE	≥ 275%	
BREAKDOWN TORQUE	276%	
LOCKED ROTOR AMPS (STARTING)	1670 / 835 / 483 A	
IL / IN	6.96 / CODE H	
SLIP	≥ 5%	
NO LOAD CURRENT	49.0 / 24.5 / 14.2 A	
MAX. TIME LOCKED ROTOR (HOT)	10 SECONDS	
DE BEARING	NU318	
ODE BEARING	6313C3	
REGREASING INT. - DE BEARING	4,300 HOURS (1.47 OZ.)	
REGREASING INT. - ODE BEARING	12,200 HOURS (0.86 OZ.)	
MOUNTING	F2	
ROTATION	CW / CCW	
MOMENT OF INERTIA	88.1 LB. FT. SQUARED	
C-FLANGE	---	
D-FLANGE	---	
SHAFT MATERIAL	1045 CARBON STEEL	
CONNECTION DIAGRAM	230 / 460 V - 12 LEAD Δ	
APPROX. WEIGHT	1798 LBS.	
LOAD	POWER FACTOR	EFFICIENCY (%)
100%	0.90	87.5
75%	0.89	88.5
50%	0.84	84.4





WORLDWIDE ELECTRIC MOTOR DRAWING  
**WO-445T**



MOUNTING				
E	2F1	2F2	H	BA
9	14.5	16.5	0.81	7.5

A	B	C	D	G	J	O	P
22	20.5	44.5	11	1.38	3.35	22.97	23.43

KEY		KEYSEAT		SHAFT		TERMINAL BOX				
T	AA	AB	ES	S	R	N-W	U	XC	XD	XE
3.46	2x3	19.41	6.91	0.875	2.88	8.5	3.375	11.73	11.34	14.37

ALL DIMENSIONS IN INCHES