



WORLDWIDE ELECTRIC MOTOR DATA SHEET



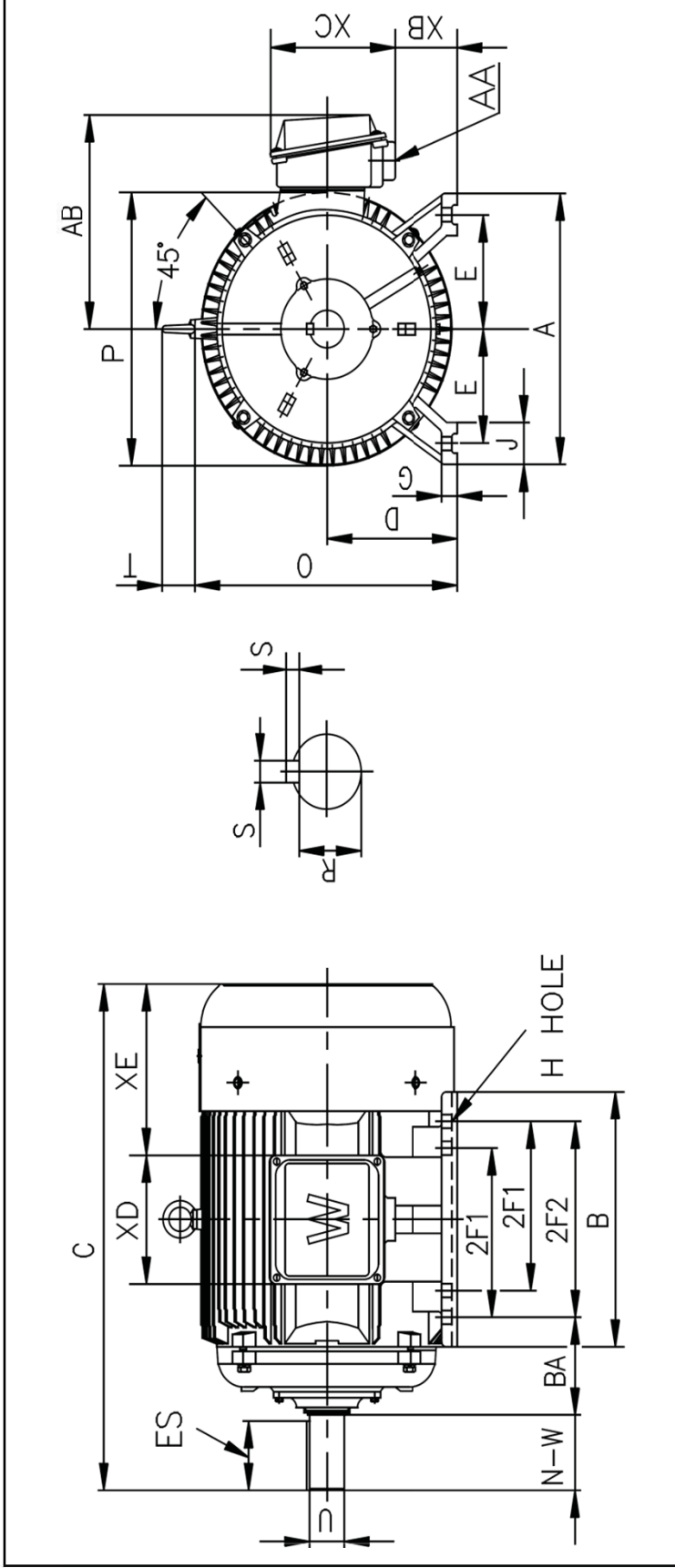
WO15-12-284T

HP	15	
RPM / POLES	1200 / 6	
VOLTAGE / PHASE	230 / 460 / 796 V 3	
FRAME	284T	
ENCLOSURE	TEFC (IP54)	
FREQUENCY	60 HZ	
RATED SPEED	1135 RPM	
FULL LOAD AMPS	38.0 / 19.0 / 11.0 A	
DUTY CYCLE	CONTINUOUS	
SERVICE FACTOR	1.15	
INSULATION CLASS	F	
AMBIENT TEMP.	40° C	
ALTITUDE	3300 FT.	
TEMP. RISE @ FULL LOAD	80° C	
DESIGN	D	
RATED TORQUE	68.5 LB. FT.	
LOCKED ROTOR TORQUE	275%	
BREAKDOWN TORQUE	300%	
LOCKED ROTOR AMPS (STARTING)	232 / 116 / 67.1 A	
IL / IN	6.1 / CODE G	
SLIP	5.40%	
NO LOAD CURRENT	16.8 / 8.4 / 4.9 A	
MAX. TIME LOCKED ROTOR (HOT)	20 SECONDS	
DE BEARING	6311	
ODE BEARING	6311	
REGREASING INT. - DE BEARING	12,700 HOURS (0.64 OZ.)	
REGREASING INT. - ODE BEARING	12,700 HOURS (0.46 OZ.)	
MOUNTING	F2 (F1 SUITABLE)	
ROTATION	CW / CCW	
MOMENT OF INERTIA	4.66 LB. FT. SQUARED	
C-FLANGE	---	
D-FLANGE	---	
SHAFT MATERIAL	1045 CARBON STEEL	
CONNECTION DIAGRAM	230 / 460 V - 12 LEAD Δ	
APPROX. WEIGHT	410 LBS.	
LOAD	POWER FACTOR	EFFICIENCY (%)
100%	0.85	87.0
75%	0.80	87.3
50%	0.71	87.0





WORLDWIDE ELECTRIC MOTOR DRAWING
WO-284T



MOUNTING					
E	2F1	2F2	H	BA	P
5.5	---	9.5	0.53	4.75	14.17

KEY			KEYSEAT			SHAFT			TERMINAL BOX		
T	AA	AB	ES	S	R	N-W	U	XB	XC	XD	XE
2.05	1.5	12	3.28	0.5	1.591	4.62	1.875	3.58	7.2	6.3	9.13

ALL DIMENSIONS IN INCHES