



WORLDWIDE ELECTRIC MOTOR DATA SHEET



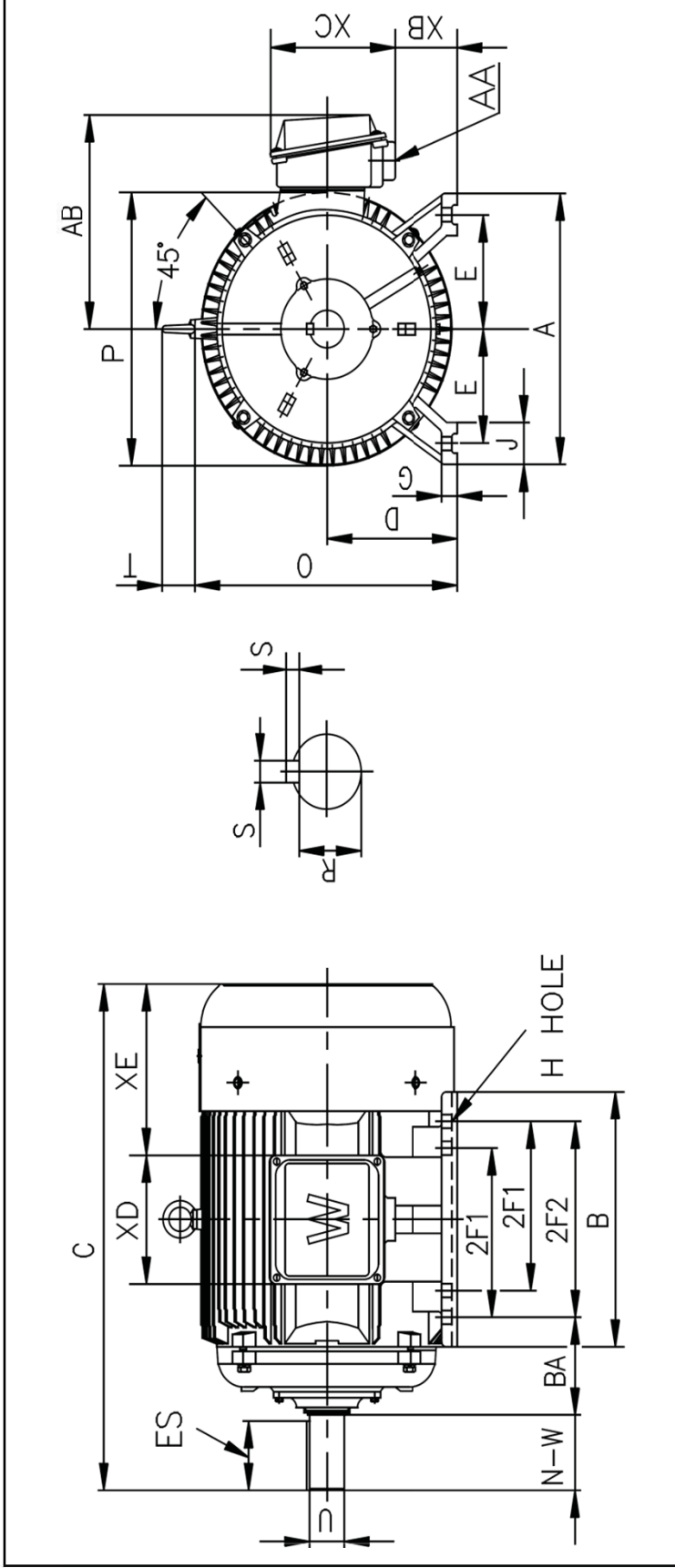
WO20-12-286T

HP	20	
RPM / POLES	1200 / 6	
VOLTAGE / PHASE	230 / 460 / 796 V 3	
FRAME	286T	
ENCLOSURE	TEFC (IP54)	
FREQUENCY	60 HZ	
RATED SPEED	1132 RPM	
FULL LOAD AMPS	51.0 / 25.5 / 14.7 A	
DUTY CYCLE	CONTINUOUS	
SERVICE FACTOR	1.15	
INSULATION CLASS	F	
AMBIENT TEMP.	40° C	
ALTITUDE	3300 FT.	
TEMP. RISE @ FULL LOAD	80° C	
DESIGN	D	
RATED TORQUE	92.7 LB. FT.	
LOCKED ROTOR TORQUE	275%	
BREAKDOWN TORQUE	280%	
LOCKED ROTOR AMPS (STARTING)	290 / 145 / 83.8 A	
IL / IN	5.7 / CODE G	
SLIP	5.67%	
NO LOAD CURRENT	18.2 / 9.1 / 5.3 A	
MAX. TIME LOCKED ROTOR (HOT)	20 SECONDS	
DE BEARING	6311	
ODE BEARING	6311	
REGREASING INT. - DE BEARING	12,700 HOURS (0.64 OZ.)	
REGREASING INT. - ODE BEARING	12,700 HOURS (0.46 OZ.)	
MOUNTING	F2 (F1 SUITABLE)	
ROTATION	CW / CCW	
MOMENT OF INERTIA	5.57 LB. FT. SQUARED	
C-FLANGE	---	
D-FLANGE	---	
SHAFT MATERIAL	1045 CARBON STEEL	
CONNECTION DIAGRAM	230 / 460 V - 12 LEAD Δ	
APPROX. WEIGHT	440 LBS.	
LOAD	POWER FACTOR	EFFICIENCY (%)
100%	0.85	87.5
75%	0.83	88.0
50%	0.74	87.6





WORLDWIDE ELECTRIC MOTOR DRAWING
WO-286T



MOUNTING					
E	2F1	2F2	H	BA	H
5.5	9.5	11	0.53	4.75	4.75

SHAFT									
T	AA	AB	XC	XB	G	D	C	B	A
2.05	1.5	12	7.2	3.58	0.866	7	28.18	14	14

KEY				KEYSEAT				TERMINAL BOX			
T	AA	AB	ES	R	N-W	U	R	XC	XD	XE	
2.05	1.5	12	3.28	0.5	4.62	1.875	1.591	7.2	6.3	9.61	

ALL DIMENSIONS IN INCHES