



WORLDWIDE ELECTRIC MOTOR DATA SHEET



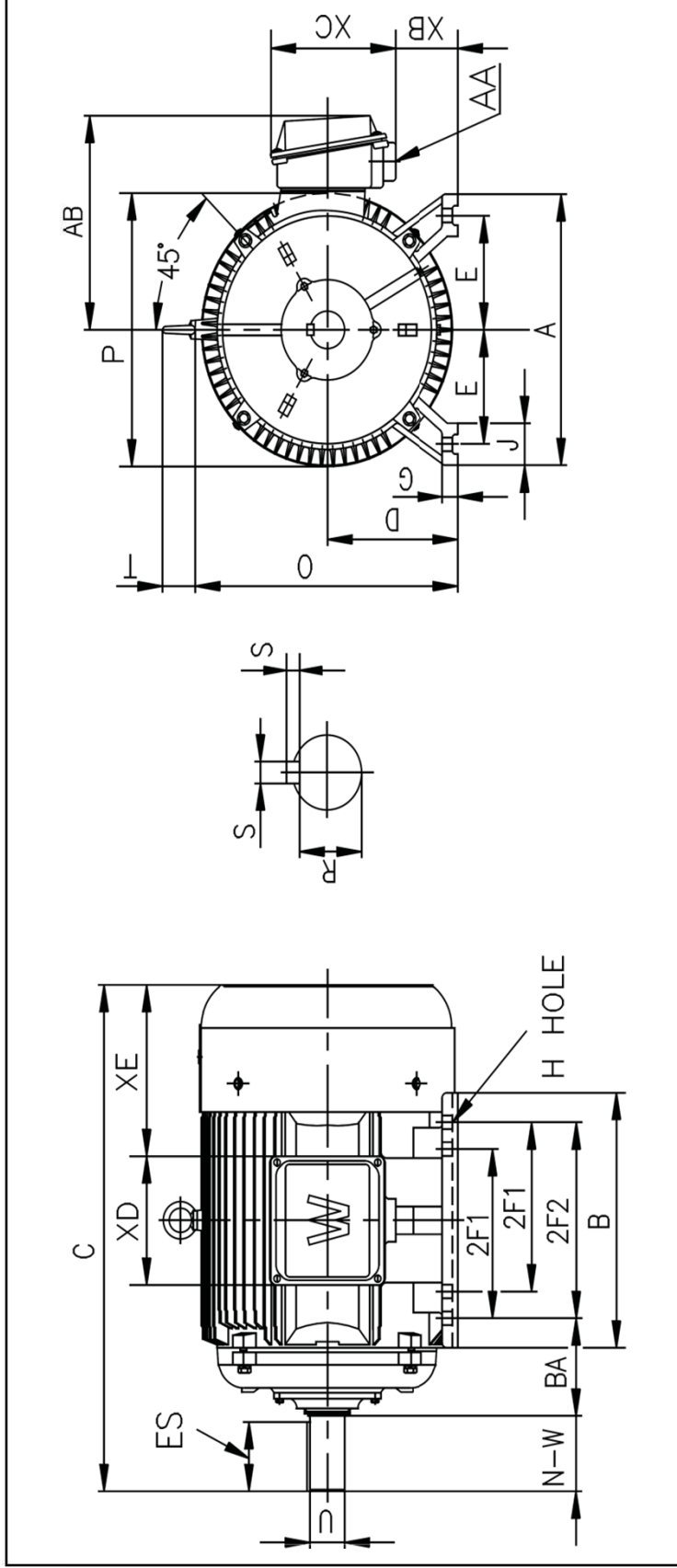
WO3-12-213T

HP	3	
RPM / POLES	1200 / 6	
VOLTAGE / PHASE	230 / 460 / 796 V 3	
FRAME	213T	
ENCLOSURE	TEFC (IP54)	
FREQUENCY	60 HZ	
RATED SPEED	1120 RPM	
FULL LOAD AMPS	8.8 / 4.4 / 2.5 A	
DUTY CYCLE	CONTINUOUS	
SERVICE FACTOR	1.15	
INSULATION CLASS	F	
AMBIENT TEMP.	40° C	
ALTITUDE	3300 FT.	
TEMP. RISE @ FULL LOAD	80° C	
DESIGN	D	
RATED TORQUE	14.1 LB. FT.	
LOCKED ROTOR TORQUE	300%	
BREAKDOWN TORQUE	270%	
LOCKED ROTOR AMPS (STARTING)	50.0 / 25.0 / 14.5 A	
IL / IN	5.6 / CODE H	
SLIP	8.22%	
NO LOAD CURRENT	5.0 / 2.5 / 1.4 A	
MAX. TIME LOCKED ROTOR (HOT)	20 SECONDS	
DE BEARING	6308-ZZ	
ODE BEARING	6308-ZZ	
REGREASING INT. - DE BEARING	---	
REGREASING INT. - ODE BEARING	---	
MOUNTING	F2 (F1 SUITABLE)	
ROTATION	CW / CCW	
MOMENT OF INERTIA	0.665 LB. FT. SQUARED	
C-FLANGE	---	
D-FLANGE	---	
SHAFT MATERIAL	1045 CARBON STEEL	
CONNECTION DIAGRAM	230 / 460 V - 12 LEAD Δ	
APPROX. WEIGHT	155 LBS.	
LOAD	POWER FACTOR	EFFICIENCY (%)
100%	0.75	79.0
75%	0.69	80.7
50%	0.57	79.2





WORLDWIDE ELECTRIC MOTOR DRAWING WO-213T



MOUNTING					
E	2F1	2F2	H	BA	P
4.25	---	5.5	0.41	3.5	10.4

KEY			KEYSEAT			SHAFT			TERMINAL BOX		
T	AA	AB	ES	S	R	N-W	U	XB	XC	XD	XE
1.73	1	8.63	2.41	0.312	1.201	3.38	1.375	2.95	5	4.57	6.77

ALL DIMENSIONS IN INCHES