



**WORLDWIDE ELECTRIC MOTOR DATA SHEET**



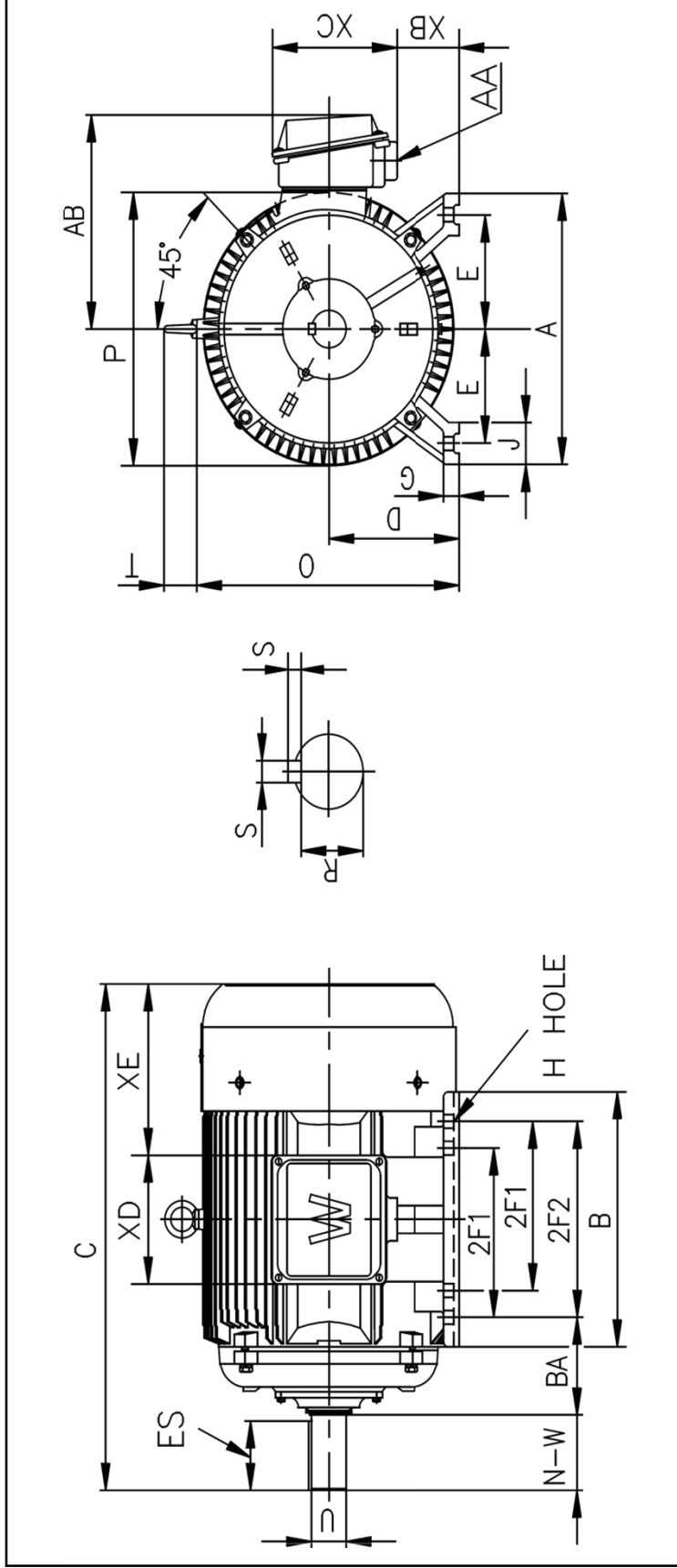
**WO40-12-365T**

HP	40	
RPM / POLES	1200 / 6	
VOLTAGE / PHASE	230 / 460 / 796 V 3	
FRAME	365T	
ENCLOSURE	TEFC (IP54)	
FREQUENCY	60 HZ	
RATED SPEED	1135 RPM	
FULL LOAD AMPS	99.0 / 49.5 / 28.6 A	
DUTY CYCLE	CONTINUOUS	
SERVICE FACTOR	1.15	
INSULATION CLASS	F	
AMBIENT TEMP.	40° C	
ALTITUDE	3300 FT.	
TEMP. RISE @ FULL LOAD	80° C	
DESIGN	D	
RATED TORQUE	185 LB. FT.	
LOCKED ROTOR TORQUE	290%	
BREAKDOWN TORQUE	300%	
LOCKED ROTOR AMPS (STARTING)	580 / 290 / 168 A	
IL / IN	5.78 / CODE G	
SLIP	5.40%	
NO LOAD CURRENT	44.0 / 22.0 / 12.7 A	
MAX. TIME LOCKED ROTOR (HOT)	20 SECONDS	
DE BEARING	6313	
ODE BEARING	6313	
REGREASING INT. - DE BEARING	12,200 HOURS (0.86 OZ.)	
REGREASING INT. - ODE BEARING	12,200 HOURS (0.75 OZ.)	
MOUNTING	F2 (F1 SUITABLE)	
ROTATION	CW / CCW	
MOMENT OF INERTIA	21 LB. FT. SQUARED	
C-FLANGE	---	
D-FLANGE	---	
SHAFT MATERIAL	1045 CARBON STEEL	
CONNECTION DIAGRAM	230 / 460 V - 12 LEAD Δ	
APPROX. WEIGHT	650 LBS.	
LOAD	POWER FACTOR	EFFICIENCY (%)
100%	0.83	89.0
75%	0.79	89.5
50%	0.70	89.1





WORLDWIDE ELECTRIC MOTOR DRAWING  
**WO-365T**



MOUNTING					
E	2F1	2F2	H	BA	P
7	11.25	12.25	0.66	5.88	17.7

SHAFT										
T	AA	AB	ES	S	R	N-W	U	XB	XC	XD
2.44	3	15.7	4.28	0.625	2.021	5.88	2.375	3.74	10.55	8.98

TERMINAL BOX										
T	AA	AB	ES	S	R	N-W	U	XB	XC	XD
2.44	3	15.7	4.28	0.625	2.021	5.88	2.375	3.74	10.55	8.98

ALL DIMENSIONS IN INCHES