



# WORLDWIDE ELECTRIC MOTOR DATA SHEET



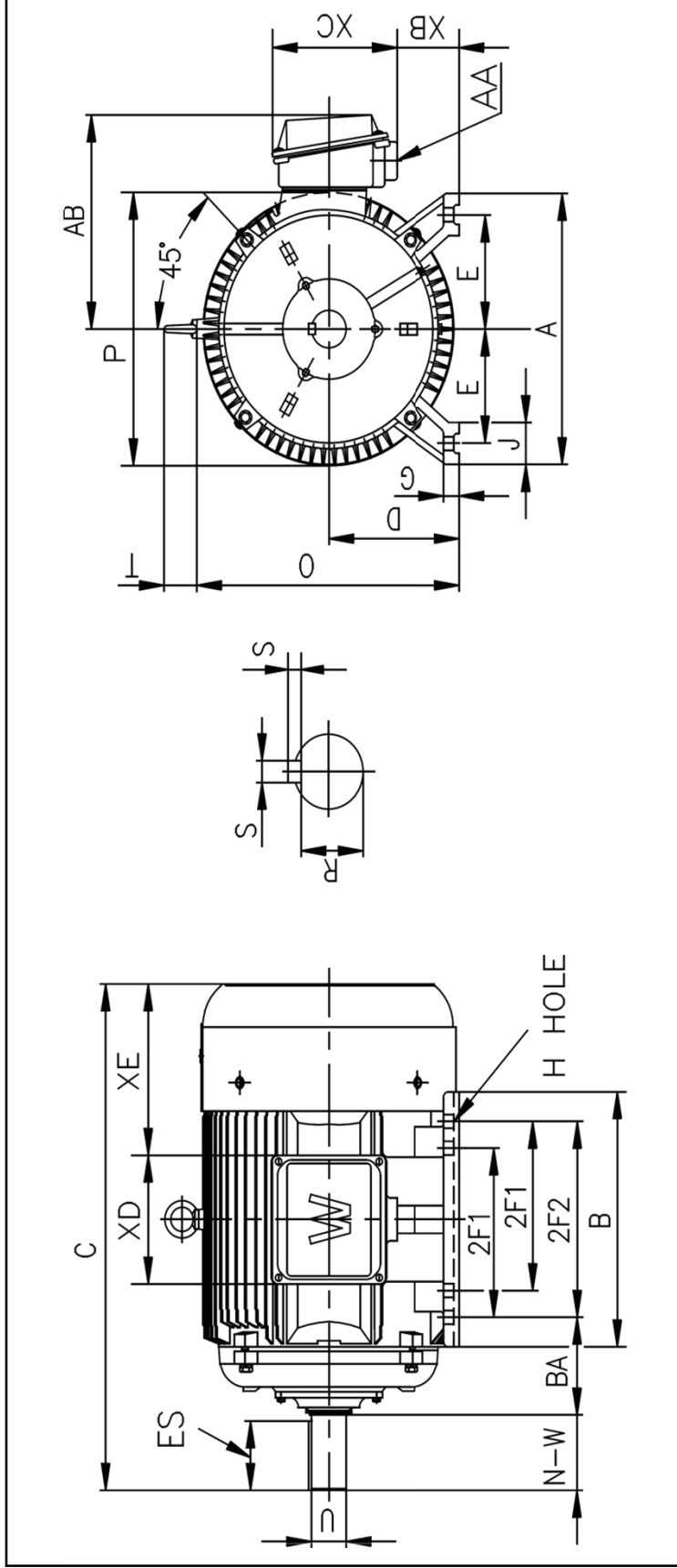
## WO5-12-215T

HP	5	
RPM / POLES	1200 / 6	
VOLTAGE / PHASE	230 / 460 / 796 V 3	
FRAME	215T	
ENCLOSURE	TEFC (IP54)	
FREQUENCY	60 HZ	
RATED SPEED	1115 RPM	
FULL LOAD AMPS	14.6 / 7.3 / 4.2 A	
DUTY CYCLE	CONTINUOUS	
SERVICE FACTOR	1.15	
INSULATION CLASS	F	
AMBIENT TEMP.	40° C	
ALTITUDE	3300 FT.	
TEMP. RISE @ FULL LOAD	80° C	
DESIGN	D	
RATED TORQUE	23.5 LB. FT.	
LOCKED ROTOR TORQUE	300%	
BREAKDOWN TORQUE	270%	
LOCKED ROTOR AMPS (STARTING)	80.0 / 40.0 / 23.1 A	
IL / IN	5.5 / CODE H	
SLIP	7.80%	
NO LOAD CURRENT	8.2 / 4.1 / 2.4 A	
MAX. TIME LOCKED ROTOR (HOT)	20 SECONDS	
DE BEARING	6308-ZZ	
ODE BEARING	6308-ZZ	
REGREASING INT. - DE BEARING	---	
REGREASING INT. - ODE BEARING	---	
MOUNTING	F2 (F1 SUITABLE)	
ROTATION	CW / CCW	
MOMENT OF INERTIA	0.832 LB. FT. SQUARED	
C-FLANGE	---	
D-FLANGE	---	
SHAFT MATERIAL	1045 CARBON STEEL	
CONNECTION DIAGRAM	230 / 460 V - 12 LEAD Δ	
APPROX. WEIGHT	175 LBS.	
LOAD	POWER FACTOR	EFFICIENCY (%)
100%	0.76	82.0
75%	0.70	83.4
50%	0.60	83.1





WORLDWIDE ELECTRIC MOTOR DRAWING  
**WO-215T**



MOUNTING					
E	2F1	2F2	H	BA	
4.25	5.5	7	0.41	3.5	

SHAFT									
KEY		KEYSEAT		N-W		U		XC	
T	AA	AB	ES	S	R	N-W	U	XC	XD
1.73	1	8.63	2.41	0.312	1.201	3.38	1.375	2.95	4.57

TERMINAL BOX				
T	AA	AB	XC	XD
1.73	1	8.63	5	4.57

ALL DIMENSIONS IN INCHES