



# WORLDWIDE ELECTRIC MOTOR DATA SHEET



## WO50-12-404T

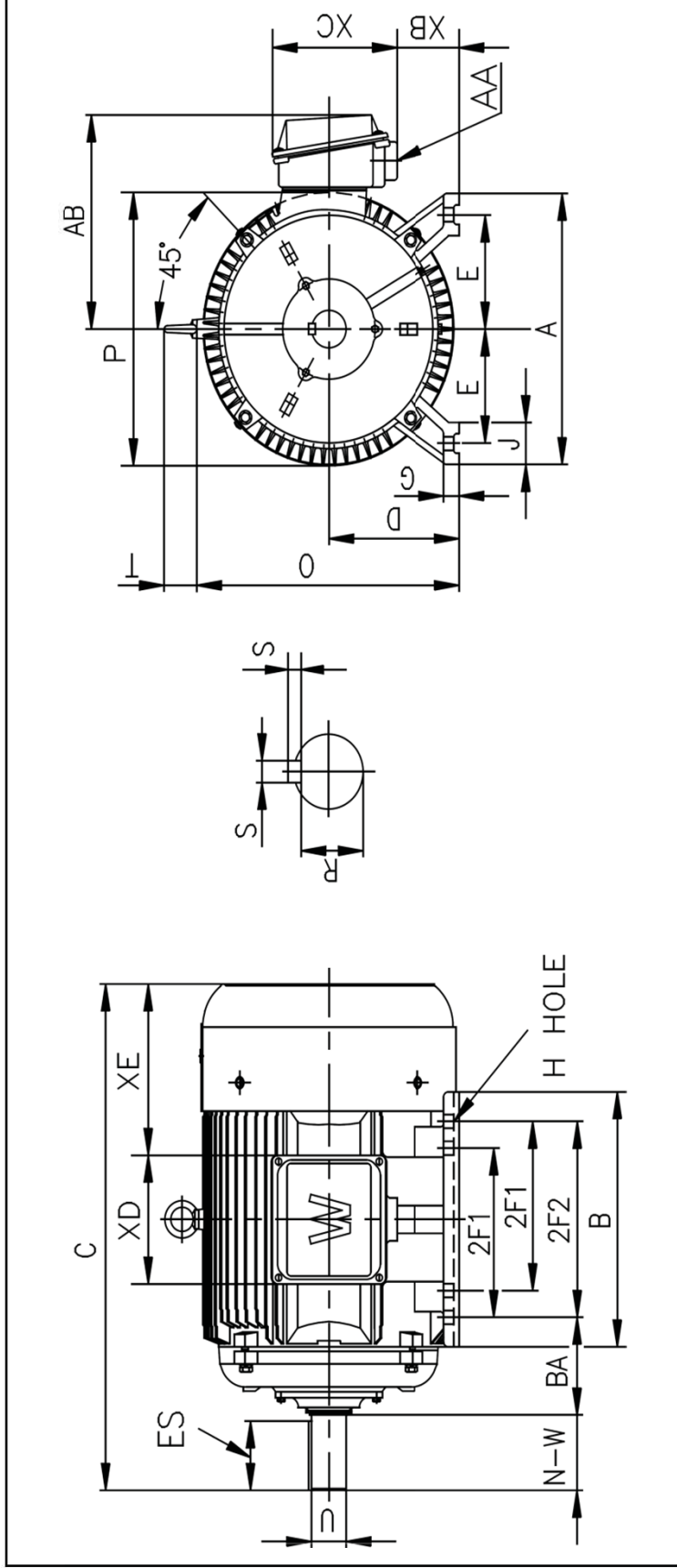
|                               |                         |                |
|-------------------------------|-------------------------|----------------|
| HP                            | 50                      |                |
| RPM / POLES                   | 1200 / 6                |                |
| VOLTAGE / PHASE               | 230 / 460 / 796 V 3     |                |
| FRAME                         | 404T                    |                |
| ENCLOSURE                     | TEFC (IP54)             |                |
| FREQUENCY                     | 60 HZ                   |                |
| RATED SPEED                   | 1130 RPM                |                |
| FULL LOAD AMPS                | 120 / 60.0 / 34.7 A     |                |
| DUTY CYCLE                    | CONTINUOUS              |                |
| SERVICE FACTOR                | 1.15                    |                |
| INSULATION CLASS              | F                       |                |
| AMBIENT TEMP.                 | 40° C                   |                |
| ALTITUDE                      | 3300 FT.                |                |
| TEMP. RISE @ FULL LOAD        | 80° C                   |                |
| DESIGN                        | D                       |                |
| RATED TORQUE                  | 230 LB. FT.             |                |
| LOCKED ROTOR TORQUE           | 330%                    |                |
| BREAKDOWN TORQUE              | 300%                    |                |
| LOCKED ROTOR AMPS (STARTING)  | 726 / 363 / 210 A       |                |
| IL / IN                       | 6.04 / CODE G           |                |
| SLIP                          | 5.80%                   |                |
| NO LOAD CURRENT               | 30.0 / 15.0 / 8.7 A     |                |
| MAX. TIME LOCKED ROTOR (HOT)  | 20 SECONDS              |                |
| DE BEARING                    | NU316                   |                |
| ODE BEARING                   | 6313C3                  |                |
| REGREASING INT. - DE BEARING  | 4,400 HOURS (1.22 OZ.)  |                |
| REGREASING INT. - ODE BEARING | 12,200 HOURS (0.86 OZ.) |                |
| MOUNTING                      | F2 (F1 SUITABLE)        |                |
| ROTATION                      | CW / CCW                |                |
| MOMENT OF INERTIA             | 41.1 LB. FT. SQUARED    |                |
| C-FLANGE                      | ---                     |                |
| D-FLANGE                      | ---                     |                |
| SHAFT MATERIAL                | 1045 CARBON STEEL       |                |
| CONNECTION DIAGRAM            | 230 / 460 V - 12 LEAD Δ |                |
| APPROX. WEIGHT                | 1035 LBS.               |                |
| LOAD                          | POWER FACTOR            | EFFICIENCY (%) |
| 100%                          | 0.91                    | 89.0           |
| 75%                           | 0.90                    | 89.6           |
| 50%                           | 0.83                    | 89.3           |





WORLDWIDE ELECTRIC MOTOR DRAWING

WO-404T



| MOUNTING |     |       |      |      |       |
|----------|-----|-------|------|------|-------|
| E        | 2F1 | 2F2   | H    | BA   | P     |
| 8        | --- | 12.25 | 0.81 | 6.62 | 21.42 |

| KEY  |    |       | KEYSEAT |      |      | SHAFT |       |      | TERMINAL BOX |      |       |
|------|----|-------|---------|------|------|-------|-------|------|--------------|------|-------|
| T    | AA | AB    | ES      | S    | R    | N-W   | U     | XB   | XC           | XD   | XE    |
| 2.83 | 3  | 18.31 | 5.65    | 0.75 | 2.45 | 7.25  | 2.875 | 4.57 | 11.73        | 9.76 | 11.69 |

ALL DIMENSIONS IN INCHES