



# WORLDWIDE ELECTRIC MOTOR DATA SHEET



## WO60-12-405T

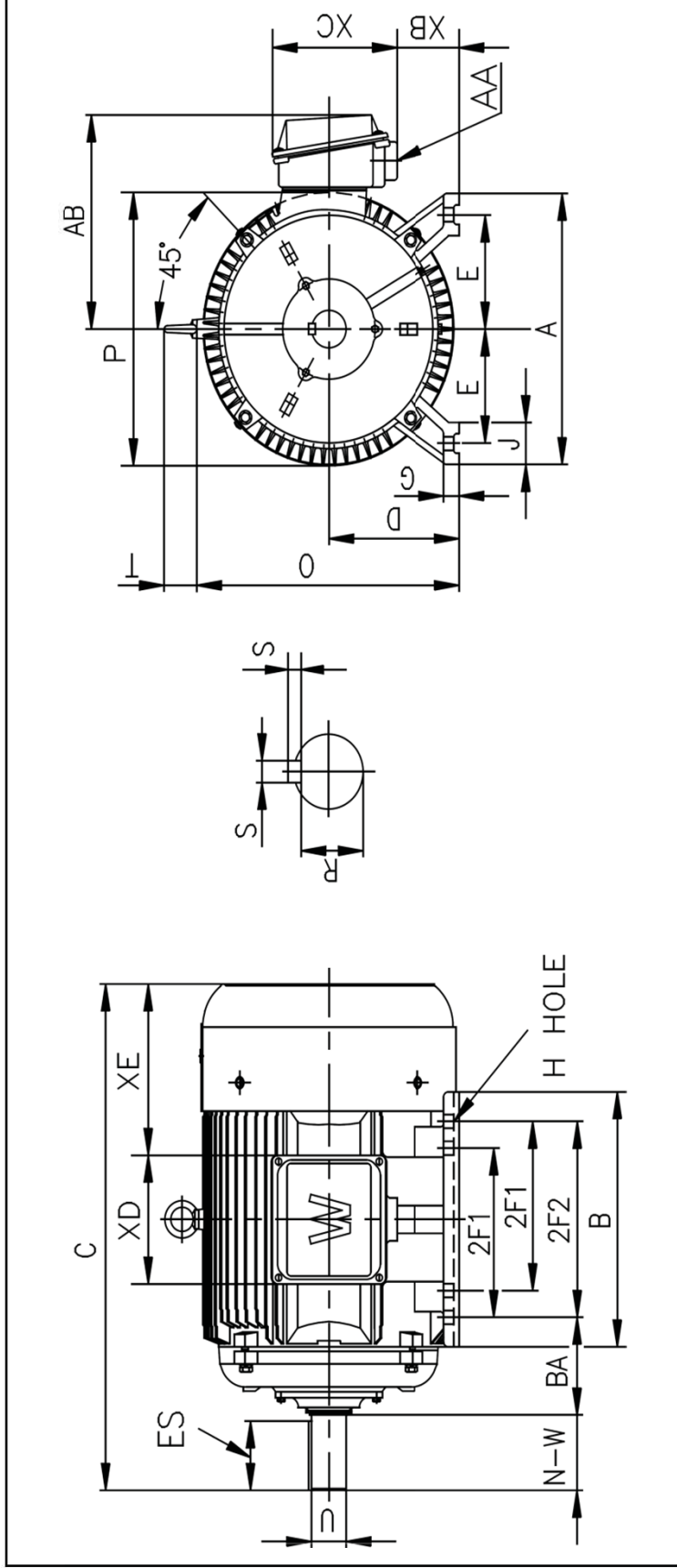
HP	60	
RPM / POLES	1200 / 6	
VOLTAGE / PHASE	230 / 460 / 796 V 3	
FRAME	405T	
ENCLOSURE	TEFC (IP54)	
FREQUENCY	60 HZ	
RATED SPEED	1130 RPM	
FULL LOAD AMPS	148 / 74.0 / 42.8 A	
DUTY CYCLE	CONTINUOUS	
SERVICE FACTOR	1.15	
INSULATION CLASS	F	
AMBIENT TEMP.	40° C	
ALTITUDE	3300 FT.	
TEMP. RISE @ FULL LOAD	80° C	
DESIGN	D	
RATED TORQUE	278 LB. FT.	
LOCKED ROTOR TORQUE	340%	
BREAKDOWN TORQUE	330%	
LOCKED ROTOR AMPS (STARTING)	870 / 435 / 251 A	
IL / IN	5.9 / CODE G	
SLIP	5.80%	
NO LOAD CURRENT	40.0 / 20.0 / 11.6 A	
MAX. TIME LOCKED ROTOR (HOT)	20 SECONDS	
DE BEARING	NU316	
ODE BEARING	6313C3	
REGREASING INT. - DE BEARING	4,400 HOURS (1.22 OZ.)	
REGREASING INT. - ODE BEARING	12,200 HOURS (0.86 OZ.)	
MOUNTING	F2 (F1 SUITABLE)	
ROTATION	CW / CCW	
MOMENT OF INERTIA	49.9 LB. FT. SQUARED	
C-FLANGE	---	
D-FLANGE	---	
SHAFT MATERIAL	1045 CARBON STEEL	
CONNECTION DIAGRAM	230 / 460 V - 12 LEAD Δ	
APPROX. WEIGHT	1200 LBS.	
LOAD	POWER FACTOR	EFFICIENCY (%)
100%	0.90	90.3
75%	0.88	91.0
50%	0.82	90.5





WORLDWIDE ELECTRIC MOTOR DRAWING

WO-405T



MOUNTING					
E	2F1	2F2	H	BA	P
8	12.25	13.75	0.81	6.62	21.42

KEY			KEYSEAT			SHAFT			TERMINAL BOX		
T	AA	AB	ES	S	R	N-W	U	XB	XC	XD	XE
2.83	3	18.31	5.65	0.75	2.45	7.25	2.875	4.57	11.73	9.76	12.48

ALL DIMENSIONS IN INCHES