



WORLDWIDE ELECTRIC MOTOR DATA SHEET



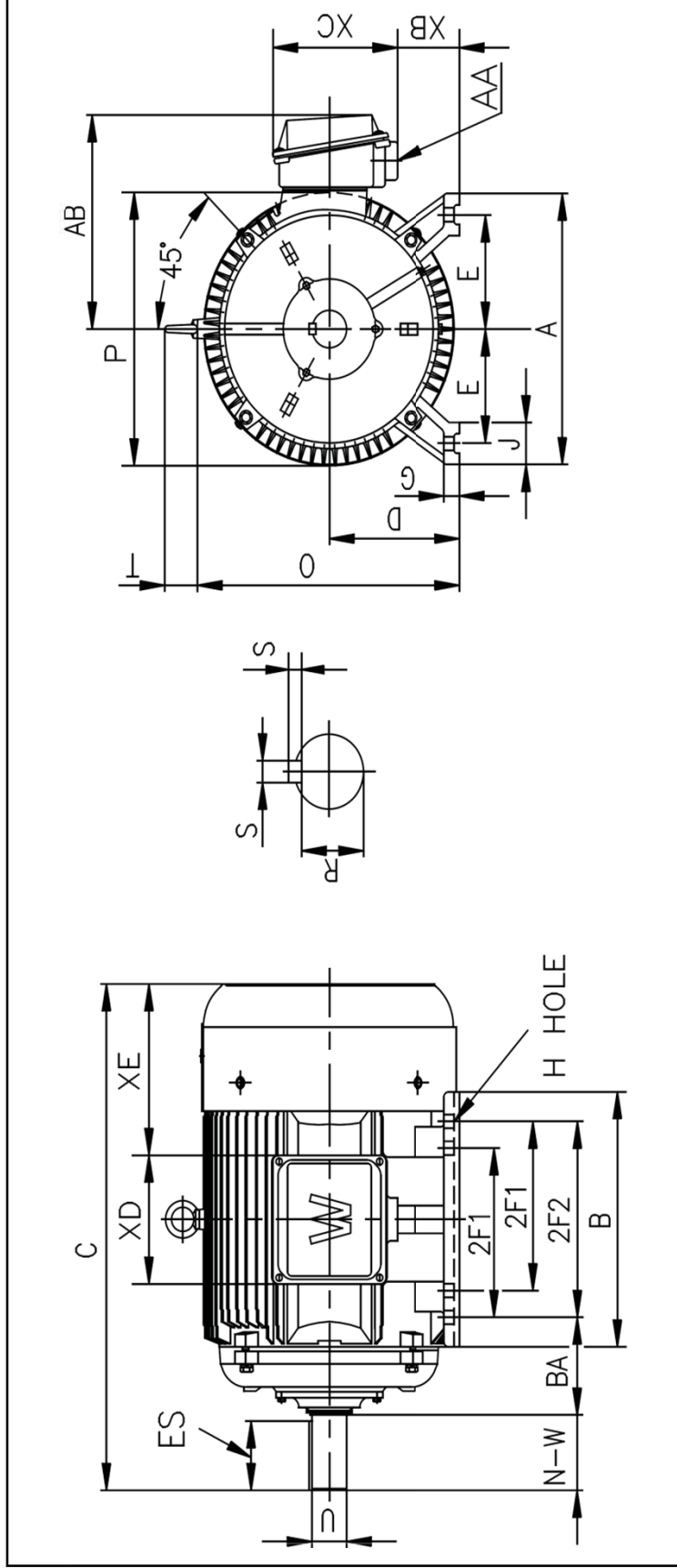
WO7.5-12-254T

HP	7.5	
RPM / POLES	1200 / 6	
VOLTAGE / PHASE	230 / 460 / 796 V 3	
FRAME	254T	
ENCLOSURE	TEFC (IP54)	
FREQUENCY	60 HZ	
RATED SPEED	1137 RPM	
FULL LOAD AMPS	20.0 / 10.0 / 5.8 A	
DUTY CYCLE	CONTINUOUS	
SERVICE FACTOR	1.15	
INSULATION CLASS	F	
AMBIENT TEMP.	40° C	
ALTITUDE	3300 FT.	
TEMP. RISE @ FULL LOAD	80° C	
DESIGN	D	
RATED TORQUE	34.1 LB. FT.	
LOCKED ROTOR TORQUE	280%	
BREAKDOWN TORQUE	340%	
LOCKED ROTOR AMPS (STARTING)	127 / 63.5 / 36.7 A	
IL / IN	6.35 / CODE H	
SLIP	5.25%	
NO LOAD CURRENT	9.4 / 4.7 / 1.4 A	
MAX. TIME LOCKED ROTOR (HOT)	20 SECONDS	
DE BEARING	6309	
ODE BEARING	6309	
REGREASING INT. - DE BEARING	13,400 HOURS (0.46 OZ.)	
REGREASING INT. - ODE BEARING	13,400 HOURS (0.29 OZ.)	
MOUNTING	F2 (F1 SUITABLE)	
ROTATION	CW / CCW	
MOMENT OF INERTIA	1.86 LB. FT. SQUARED	
C-FLANGE	---	
D-FLANGE	---	
SHAFT MATERIAL	1045 CARBON STEEL	
CONNECTION DIAGRAM	230 / 460 V - 12 LEAD Δ	
APPROX. WEIGHT	300 LBS.	
LOAD	POWER FACTOR	EFFICIENCY (%)
100%	0.79	86.5
75%	0.75	86.5
50%	0.65	84.6





WORLDWIDE ELECTRIC MOTOR DRAWING WO-254T



MOUNTING					
E	2F1	2F2	H	BA	P
5	---	8.25	0.53	4.25	12.6

SHAFT											
A	B	C	D	G	J	O	P				
12.5	10.8	23.29	6.25	0.787	2.76	12.89	12.6				

KEY				KEYSEAT				TERMINAL BOX			
ES	S	R	N-W	U	XC	XD	XE				
2.91	0.375	1.416	4	1.625	7.2	6.3	7.76				

ALL DIMENSIONS IN INCHES