



WORLDWIDE ELECTRIC MOTOR DATA SHEET



WO75-12-444T

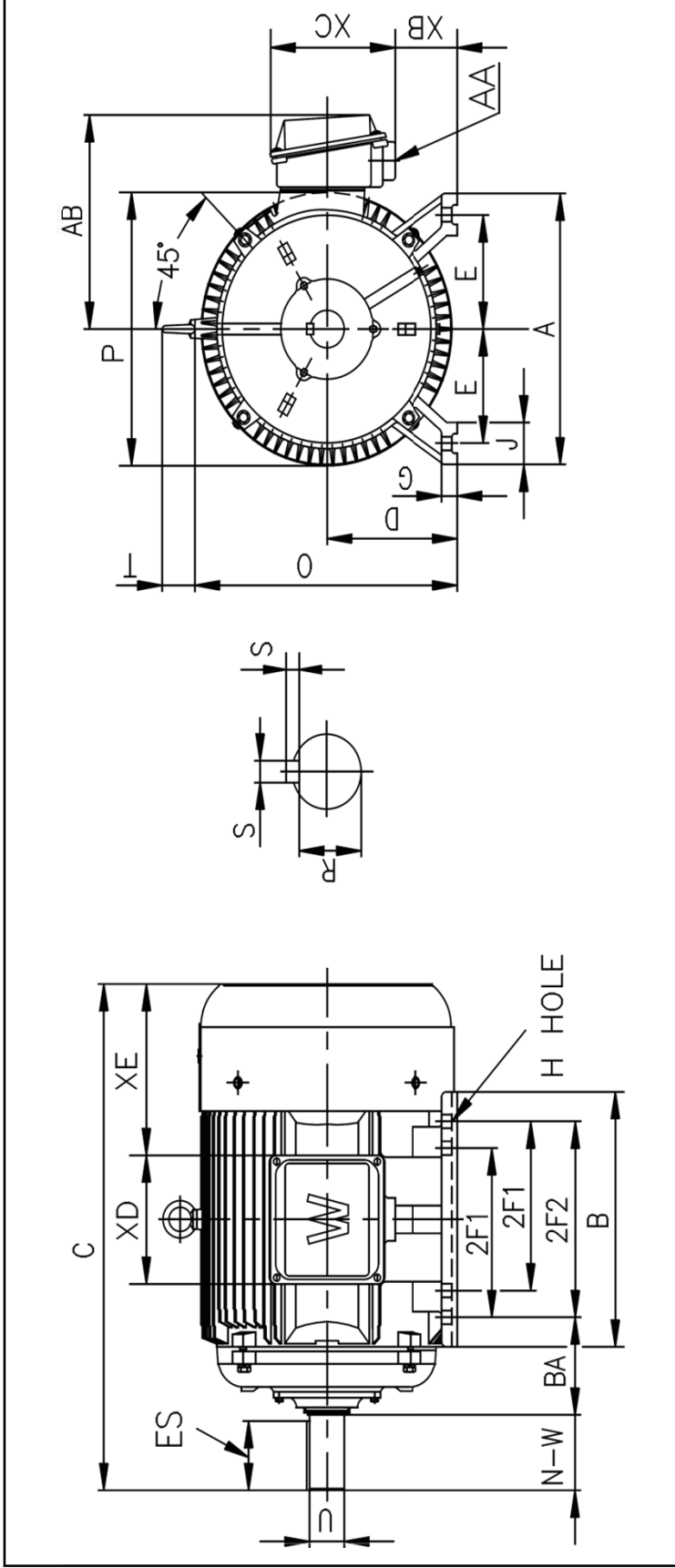
HP	75	
RPM / POLES	1200 / 6	
VOLTAGE / PHASE	230 / 460 / 796 V 3	
FRAME	444T	
ENCLOSURE	TEFC (IP54)	
FREQUENCY	60 HZ	
RATED SPEED	1130 RPM	
FULL LOAD AMPS	176 / 88.0 / 50.9 A	
DUTY CYCLE	CONTINUOUS	
SERVICE FACTOR	1.15	
INSULATION CLASS	F	
AMBIENT TEMP.	40° C	
ALTITUDE	3300 FT.	
TEMP. RISE @ FULL LOAD	95° C	
DESIGN	D	
RATED TORQUE	345 LB. FT.	
LOCKED ROTOR TORQUE	≥ 275%	
BREAKDOWN TORQUE	276%	
LOCKED ROTOR AMPS (STARTING)	1086 / 543 / 314 A	
IL / IN	6.16 / CODE G	
SLIP	≥ 5%	
NO LOAD CURRENT	36.0 / 18.0 / 10.4 A	
MAX. TIME LOCKED ROTOR (HOT)	10 SECONDS	
DE BEARING	NU318	
ODE BEARING	6313C3	
REGREASING INT. - DE BEARING	4,300 HOURS (1.22 OZ.)	
REGREASING INT. - ODE BEARING	12,200 HOURS (0.86 OZ.)	
MOUNTING	F2 (F1 SUITABLE)	
ROTATION	CW / CCW	
MOMENT OF INERTIA	61.9 LB. FT. SQUARED	
C-FLANGE	---	
D-FLANGE	---	
SHAFT MATERIAL	1045 CARBON STEEL	
CONNECTION DIAGRAM	230 / 460 V - 12 LEAD Δ	
APPROX. WEIGHT	1378 LBS.	
LOAD	POWER FACTOR	EFFICIENCY (%)
100%	0.90	87.5
75%	0.89	88.5
50%	0.84	84.4





WORLDWIDE ELECTRIC MOTOR DRAWING

WO-444T



MOUNTING					
E	2F1	2F2	H	BA	P
9	---	14.5	0.81	7.5	23.43

KEY			KEYSEAT			SHAFT			TERMINAL BOX		
T	AA	AB	ES	R	N-W	U	XC	XD	XE		
3.46	2x3	19.41	6.91	2.88	8.5	3.375	11.73	11.34	13.39		

ALL DIMENSIONS IN INCHES