



WORLDWIDE ELECTRIC MOTOR DATA SHEET



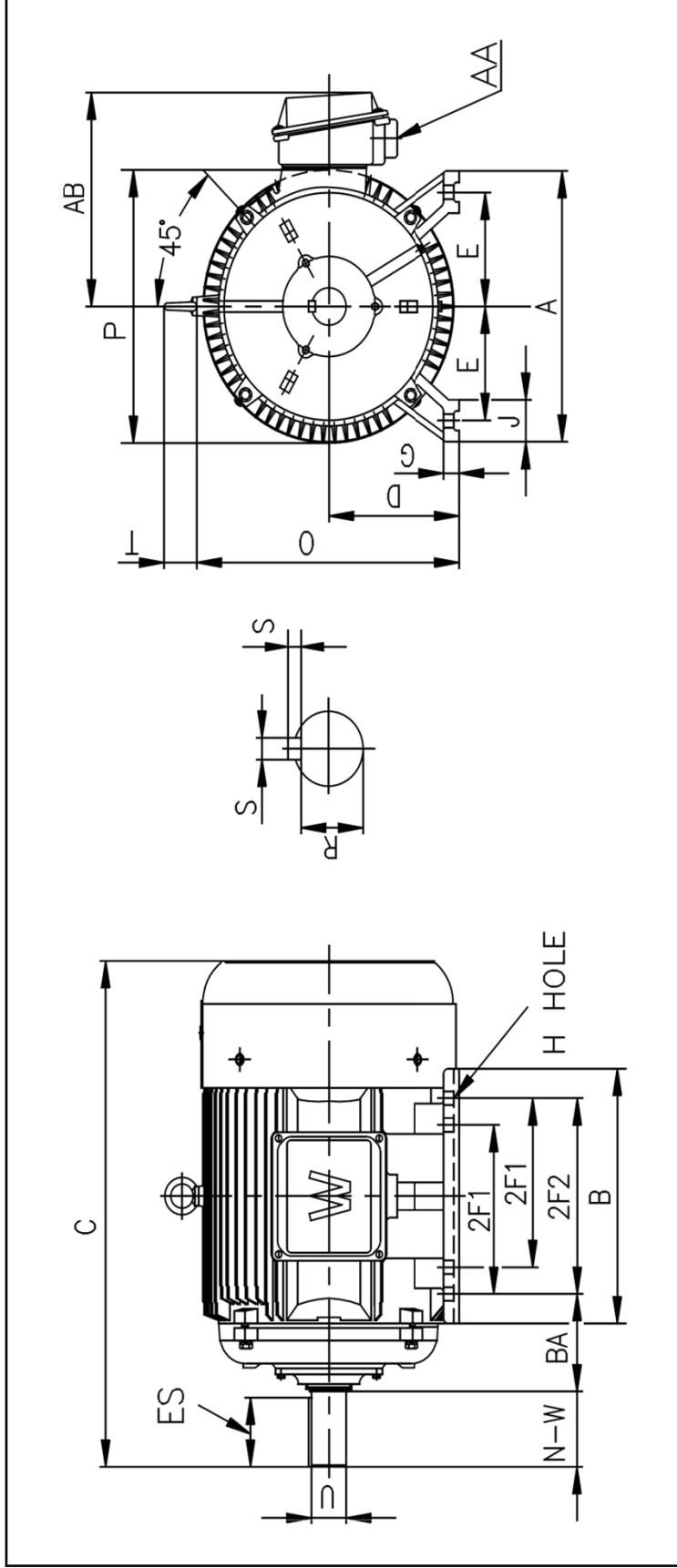
WWELUC10-12-256T

HP	10	
RPM / POLES	1200 / 6	
VOLTAGE / PHASE	230 / 460 / 796 V / 3	
FRAME	256T	
ENCLOSURE	TEFC (IP54)	
FREQUENCY	60 HZ	
RATED SPEED	1120 RPM	
FULL LOAD AMPS	29.0 / 14.5 / 8.4 A	
DUTY CYCLE	CONTINUOUS	
SERVICE FACTOR	1.15	
INSULATION CLASS	F	
AMBIENT TEMP.	40° C	
ALTITUDE	3300 FT.	
TEMP. RISE @ FULL LOAD	80° C	
DESIGN	D	
RATED TORQUE	46.9 LB. FT.	
LOCKED ROTOR TORQUE	288%	
BREAKDOWN TORQUE	275%	
LOCKED ROTOR AMPS (STARTING)	159.6 / 79.8 / 46.1 A	
IL / IN	6.8 / CODE H	
SLIP	6.88%	
NO LOAD CURRENT	13.2 / 6.6 / 3.8 A	
MAX. TIME LOCKED ROTOR (HOT)	20 SECONDS	
DE BEARING	6309	
ODE BEARING	6309	
REGREASING INT. - DE BEARING	8,000 HOURS	
REGREASING INT. - ODE BEARING	8,000 HOURS	
MOUNTING	F2 (F1 SUITABLE)	
ROTATION	CW / CCW	
MOMENT OF INERTIA	2.52 LB. FT. SQUARED	
C-FLANGE	---	
D-FLANGE	---	
SHAFT MATERIAL	1045 CARBON STEEL	
CONNECTION DIAGRAM	230 / 460 V - 12 LEAD Δ	
APPROX. WEIGHT	322 LBS.	
LOAD	POWER FACTOR	EFFICIENCY (%)
100%	0.75	86.59
75%	0.69	87.22
50%	0.56	86.23





WORLDWIDE ELECTRIC MOTOR DRAWING
WWELUC-256T



MOUNTING					
E	2F1	2F2	H	BA	A
5	8.25	10	0.53	4.25	12.48

C	D	E	G	J
25.43	6.25	0.787	2.76	

KEY			KEYSEAT			SHAFT		
O	P	T	AA	AB	ES	R	N-W	U
13.32	12.992	2.063	1.5	10.78	2.91	1.416	4	1.625

ALL DIMENSIONS IN INCHES