



WORLDWIDE ELECTRIC MOTOR DATA SHEET



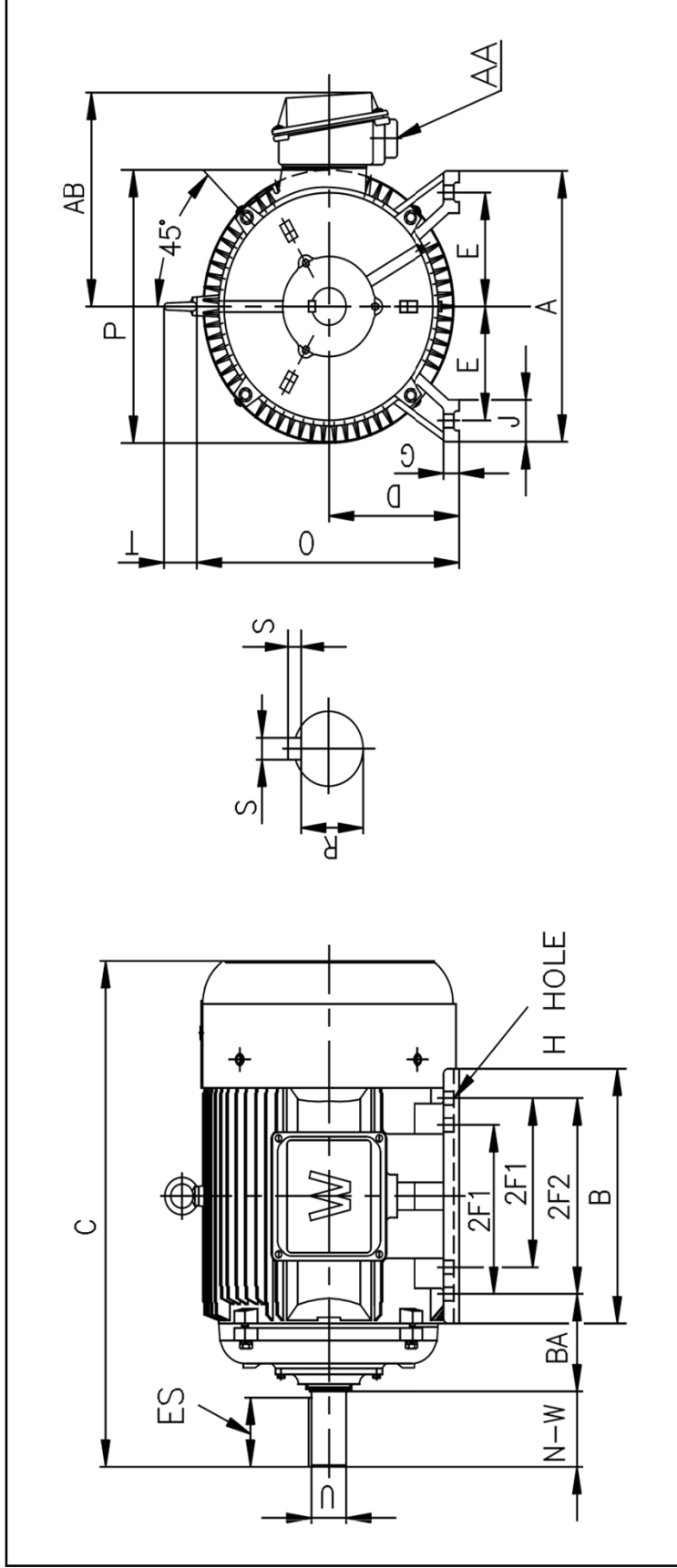
WWELUC100-12-445T

HP	100	
RPM / POLES	1200 / 6	
VOLTAGE / PHASE	230 / 460 / 796 V / 3	
FRAME	445T	
ENCLOSURE	TEFC (IP54)	
FREQUENCY	60 HZ	
RATED SPEED	1140 RPM	
FULL LOAD AMPS	242 / 121 / 69.9 A	
DUTY CYCLE	CONTINUOUS	
SERVICE FACTOR	1.15	
INSULATION CLASS	F	
AMBIENT TEMP.	40° C	
ALTITUDE	3300 FT.	
TEMP. RISE @ FULL LOAD	80° C	
DESIGN	D	
RATED TORQUE	460.6 LB. FT.	
LOCKED ROTOR TORQUE	299%	
BREAKDOWN TORQUE	367%	
LOCKED ROTOR AMPS (STARTING)	1450 / 725 / 419 A	
IL / IN	6.9 / CODE H	
SLIP	5.07%	
NO LOAD CURRENT	106 / 53.0 / 30.6 A	
MAX. TIME LOCKED ROTOR (HOT)	20 SECONDS	
DE BEARING	NU318	
ODE BEARING	6313C3	
REGREASING INT. - DE BEARING	4,300 HOURS	
REGREASING INT. - ODE BEARING	7,000 HOURS	
MOUNTING	F2 (F1 SUITABLE)	
ROTATION	CW / CCW	
MOMENT OF INERTIA	95.48 LB. FT. SQUARED	
C-FLANGE	---	
D-FLANGE	---	
SHAFT MATERIAL	1045 CARBON STEEL	
CONNECTION DIAGRAM	230 / 460 V - 12 LEAD Δ	
APPROX. WEIGHT	1747 LBS.	
LOAD	POWER FACTOR	EFFICIENCY (%)
100%	0.85	91.03
75%	0.80	91.76
50%	0.70	91.62





WORLDWIDE ELECTRIC MOTOR DRAWING
WWELUC-445T



MOUNTING					
E	2F1	2F2	H	BA	BA
9	14.5	16.5	0.81	7.5	20.393

KEY			KEYSEAT			SHAFT				
O	P	T	AA	AB	AB	ES	S	R	N-W	U
22.3	21.97	2.85	3	18.82	6.91	0.875	2.88	8.5	3.375	

ALL DIMENSIONS IN INCHES