



WORLDWIDE ELECTRIC MOTOR DATA SHEET



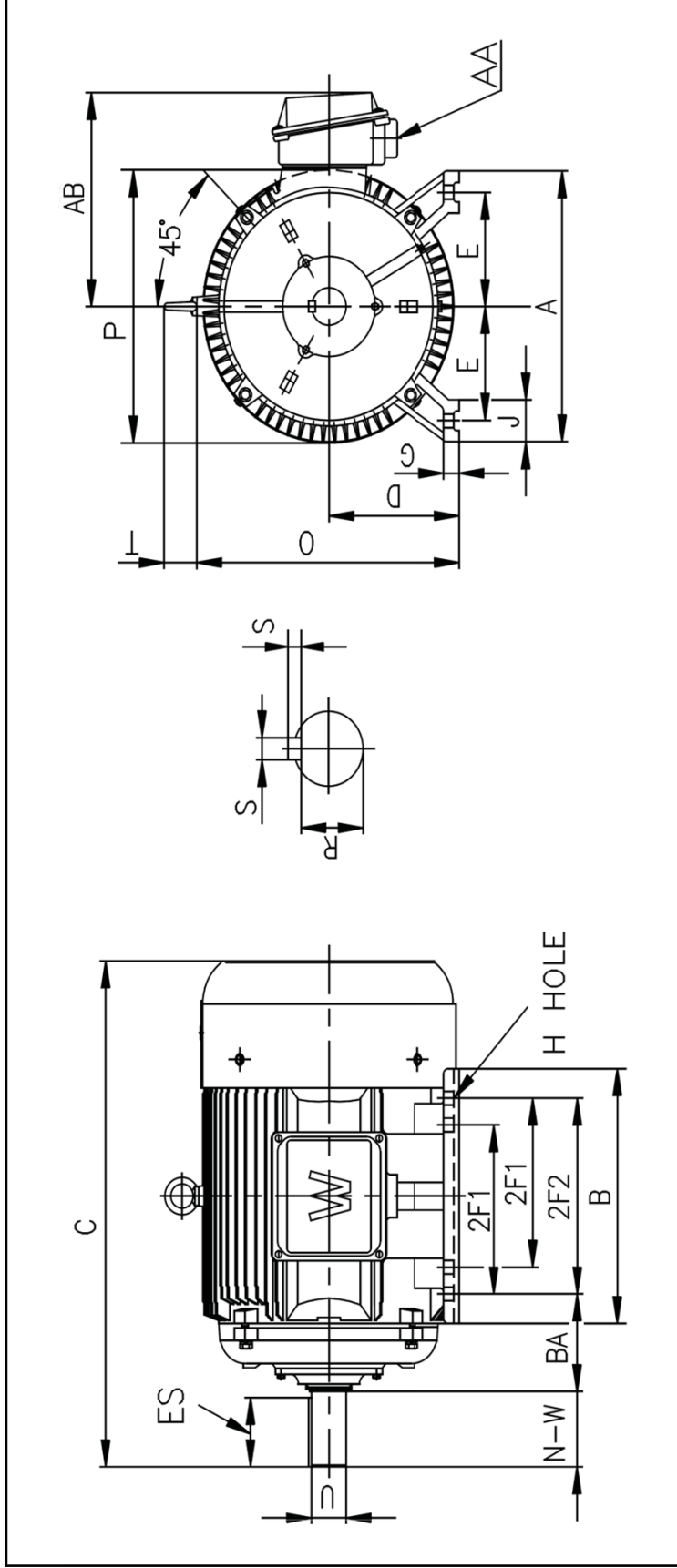
WWELUC15-12-284T

HP	15	
RPM / POLES	1200 / 6	
VOLTAGE / PHASE	230 / 460 / 796 V / 3	
FRAME	284T	
ENCLOSURE	TEFC (IP54)	
FREQUENCY	60 HZ	
RATED SPEED	1120 RPM	
FULL LOAD AMPS	41.3 / 20.7 / 12.0 A	
DUTY CYCLE	CONTINUOUS	
SERVICE FACTOR	1.15	
INSULATION CLASS	F	
AMBIENT TEMP.	40° C	
ALTITUDE	3300 FT.	
TEMP. RISE @ FULL LOAD	80° C	
DESIGN	D	
RATED TORQUE	70.3 LB. FT.	
LOCKED ROTOR TORQUE	299%	
BREAKDOWN TORQUE	349%	
LOCKED ROTOR AMPS (STARTING)	232 / 116 / 67.1 A	
IL / IN	6.91 / CODE G	
SLIP	6.91%	
NO LOAD CURRENT	21.2 / 10.6 / 6.1 A	
MAX. TIME LOCKED ROTOR (HOT)	20 SECONDS	
DE BEARING	6311	
ODE BEARING	6311	
REGREASING INT. - DE BEARING	8,000 HOURS	
REGREASING INT. - ODE BEARING	8,000 HOURS	
MOUNTING	F2 (F1 SUITABLE)	
ROTATION	CW / CCW	
MOMENT OF INERTIA	5.92 LB. FT. SQUARED	
C-FLANGE	---	
D-FLANGE	---	
SHAFT MATERIAL	1045 CARBON STEEL	
CONNECTION DIAGRAM	230 / 460 V - 12 LEAD Δ	
APPROX. WEIGHT	416 LBS.	
LOAD	POWER FACTOR	EFFICIENCY (%)
100%	0.78	87.69
75%	0.70	88.48
50%	0.57	87.95





WORLDWIDE ELECTRIC MOTOR DRAWING
WWELUC-284T



MOUNTING					
E	2F1	2F2	H	BA	H
5.5	9.5	11	0.53	4.75	13.8

A	B	C	D	G	J
13.8	13.11	28.346	7	0.866	2.76

KEY			KEYSEAT		SHAFT	
O	P	T	AA	AB	ES	S
14.84	14.49	2.063	1.5	11.61	3.28	0.5
					R	
					1.591	
					N-W	
					4.62	
					U	
					1.875	

ALL DIMENSIONS IN INCHES