



WORLDWIDE ELECTRIC MOTOR DATA SHEET



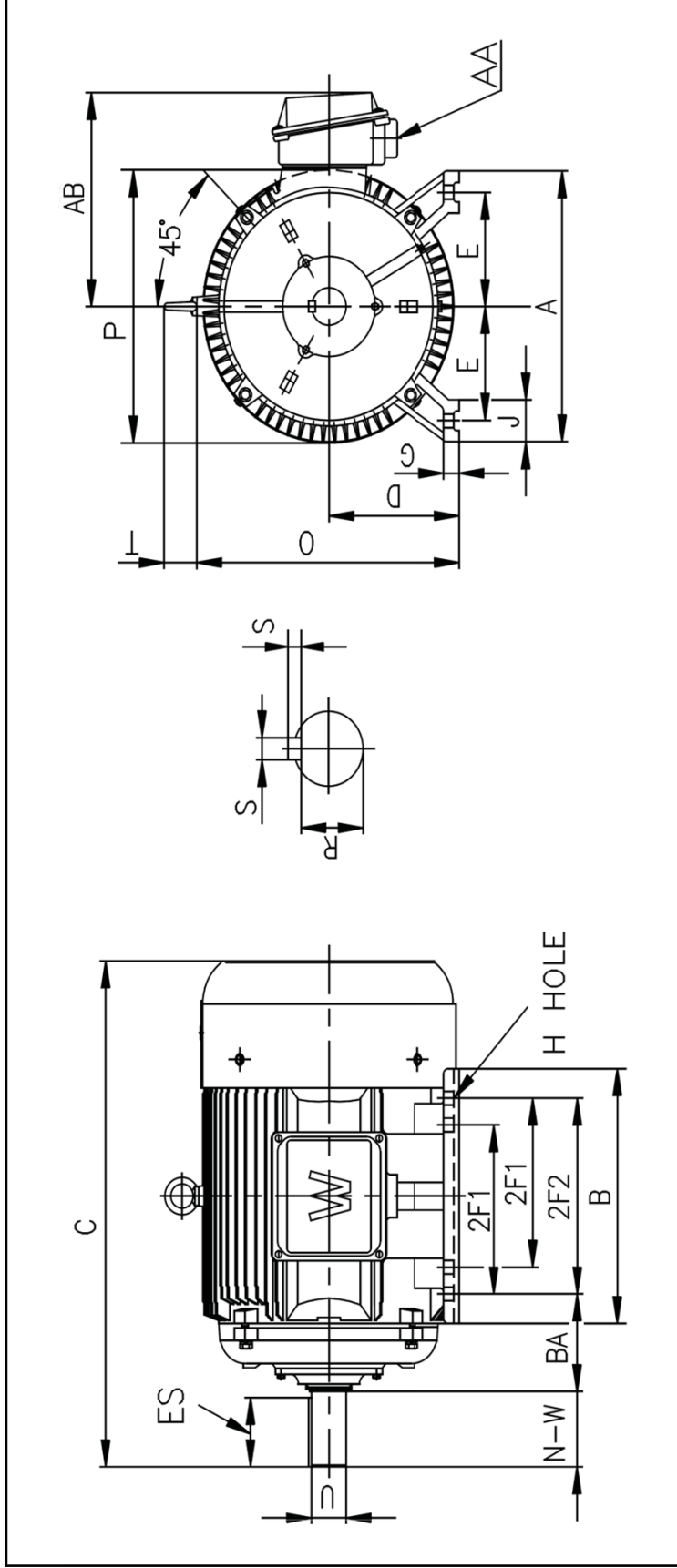
WWELUC20-12-286T

HP	20	
RPM / POLES	1200 / 6	
VOLTAGE / PHASE	230 / 460 / 796 V / 3	
FRAME	286T	
ENCLOSURE	TEFC (IP54)	
FREQUENCY	60 HZ	
RATED SPEED	1115 RPM	
FULL LOAD AMPS	54.0 / 27.0 / 15.6 A	
DUTY CYCLE	CONTINUOUS	
SERVICE FACTOR	1.15	
INSULATION CLASS	F	
AMBIENT TEMP.	40° C	
ALTITUDE	3300 FT.	
TEMP. RISE @ FULL LOAD	80° C	
DESIGN	D	
RATED TORQUE	94.2 LB. FT.	
LOCKED ROTOR TORQUE	300%	
BREAKDOWN TORQUE	347%	
LOCKED ROTOR AMPS (STARTING)	290 / 145 / 83.8 A	
IL / IN	5.8 / CODE G	
SLIP	7.02%	
NO LOAD CURRENT	27.4 / 13.7 / 7.9 A	
MAX. TIME LOCKED ROTOR (HOT)	20 SECONDS	
DE BEARING	6311	
ODE BEARING	6311	
REGREASING INT. - DE BEARING	8,000 HOURS	
REGREASING INT. - ODE BEARING	8,000 HOURS	
MOUNTING	F2 (F1 SUITABLE)	
ROTATION	CW / CCW	
MOMENT OF INERTIA	7.29 LB. FT. SQUARED	
C-FLANGE	---	
D-FLANGE	---	
SHAFT MATERIAL	1045 CARBON STEEL	
CONNECTION DIAGRAM	230 / 460 V - 12 LEAD Δ	
APPROX. WEIGHT	458 LBS.	
LOAD	POWER FACTOR	EFFICIENCY (%)
100%	0.80	87.56
75%	0.73	88.66
50%	0.60	88.44





WORLDWIDE ELECTRIC MOTOR DRAWING
WWELUC-286T



MOUNTING					
E	2F1	2F2	H	BA	H
5.5	9.5	11	0.53	4.75	13.8

A	B	C	D	G	J
13.8	13.11	28.346	7	0.866	2.76

KEY			KEYSEAT			SHAFT		
O	P	T	AA	AB	ES	R	N-W	U
14.84	14.49	2.063	1.5	11.61	3.28	1.591	4.62	1.875

ALL DIMENSIONS IN INCHES