



WORLDWIDE ELECTRIC MOTOR DATA SHEET



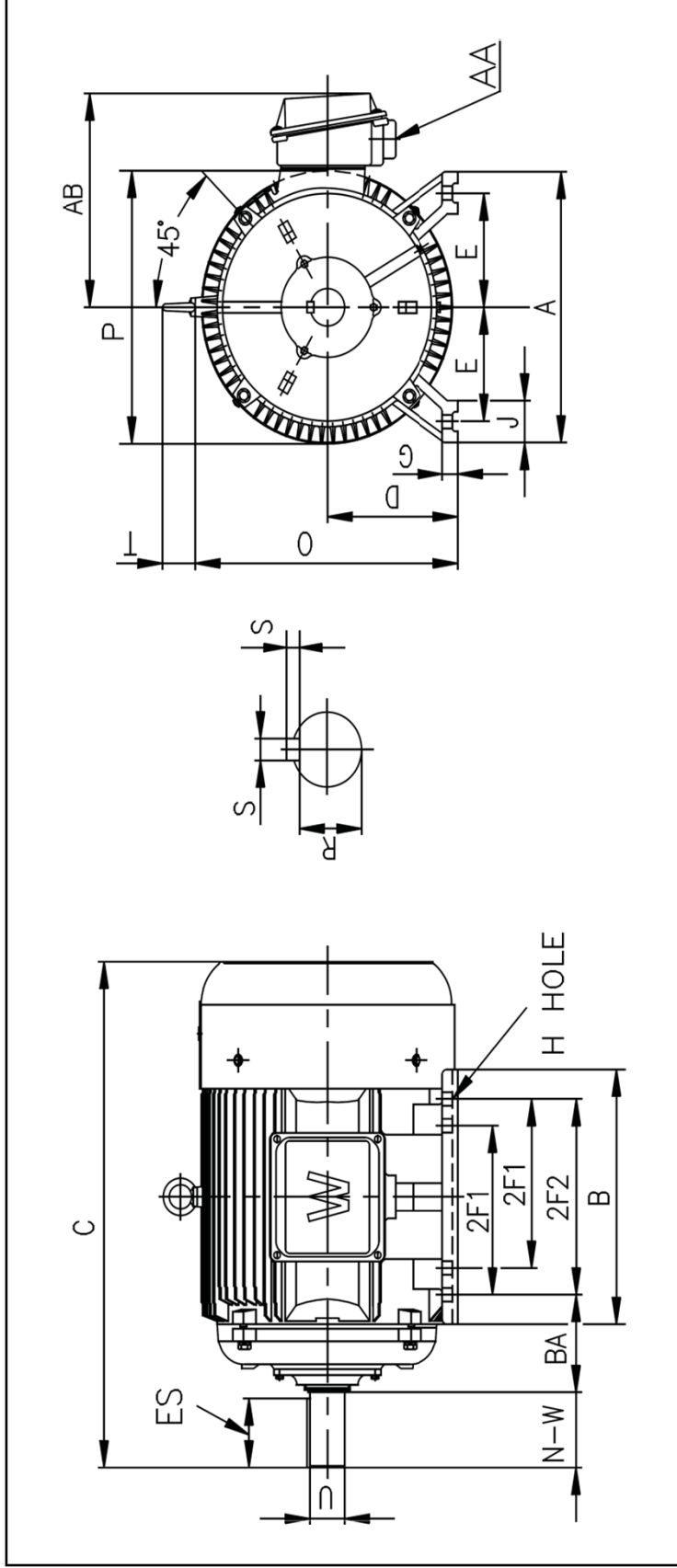
WWELUC3-12-213T

HP	3	
RPM / POLES	1200 / 6	
VOLTAGE / PHASE	230 / 460 / 796 V / 3	
FRAME	213T	
ENCLOSURE	TEFC (IP54)	
FREQUENCY	60 HZ	
RATED SPEED	1130 RPM	
FULL LOAD AMPS	8.8 / 4.4 / 2.5 A	
DUTY CYCLE	CONTINUOUS	
SERVICE FACTOR	1.15	
INSULATION CLASS	F	
AMBIENT TEMP.	40° C	
ALTITUDE	3300 FT.	
TEMP. RISE @ FULL LOAD	80° C	
DESIGN	D	
RATED TORQUE	14.1 LB. FT.	
LOCKED ROTOR TORQUE	289%	
BREAKDOWN TORQUE	285%	
LOCKED ROTOR AMPS (STARTING)	64.0 / 32.0 / 18.5 A	
IL / IN	6.6 / CODE H	
SLIP	5.76%	
NO LOAD CURRENT	5.0 / 2.5 / 1.4 A	
MAX. TIME LOCKED ROTOR (HOT)	20 SECONDS	
DE BEARING	6308-ZZ	
ODE BEARING	6308-ZZ	
REGREASING INT. - DE BEARING	---	
REGREASING INT. - ODE BEARING	---	
MOUNTING	F2 (F1 SUITABLE)	
ROTATION	CW / CCW	
MOMENT OF INERTIA	0.70 LB. FT. SQUARED	
C-FLANGE	---	
D-FLANGE	---	
SHAFT MATERIAL	1045 CARBON STEEL	
CONNECTION DIAGRAM	230 / 460 V - 12 LEAD Δ	
APPROX. WEIGHT	132 LBS.	
LOAD	POWER FACTOR	EFFICIENCY (%)
100%	0.76	81.84
75%	0.68	81.77
50%	0.56	79.33





WORLDWIDE ELECTRIC MOTOR DRAWING
WWELUC-213T



MOUNTING		A	B	C	D	G	J
E	2F1	10.827	7.874	18.582	5.25	0.708	2.362
4.25	---						

KEY		KEYSEAT	SHAFT
O	P	R	N-W
10.664	10.394	1.201	3.38
	1.75	1.201	1.375

ALL DIMENSIONS IN INCHES