



WORLDWIDE ELECTRIC MOTOR DATA SHEET



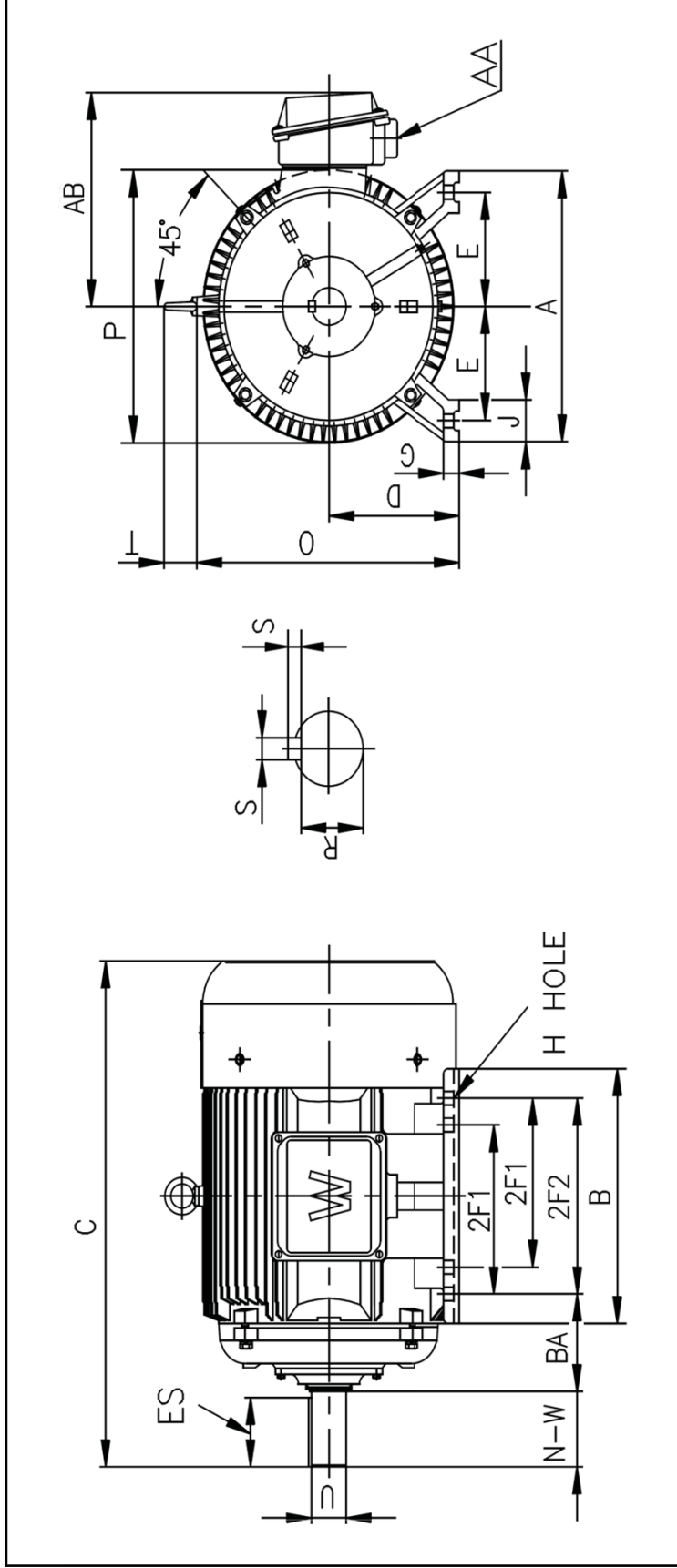
WWELUC30-12-326T

HP	30	
RPM / POLES	1200 / 6	
VOLTAGE / PHASE	230 / 460 / 796 V / 3	
FRAME	326T	
ENCLOSURE	TEFC (IP54)	
FREQUENCY	60 HZ	
RATED SPEED	1110 RPM	
FULL LOAD AMPS	78.0 / 39.0 / 22.5 A	
DUTY CYCLE	CONTINUOUS	
SERVICE FACTOR	1.15	
INSULATION CLASS	F	
AMBIENT TEMP.	40° C	
ALTITUDE	3300 FT.	
TEMP. RISE @ FULL LOAD	80° C	
DESIGN	D	
RATED TORQUE	142.9 LB. FT.	
LOCKED ROTOR TORQUE	298%	
BREAKDOWN TORQUE	325%	
LOCKED ROTOR AMPS (STARTING)	468 / 234 / 135 A	
IL / IN	5.8 / CODE G	
SLIP	7.35%	
NO LOAD CURRENT	35.6 / 17.8 / 10.3 A	
MAX. TIME LOCKED ROTOR (HOT)	20 SECONDS	
DE BEARING	6312	
ODE BEARING	6312	
REGREASING INT. - DE BEARING	7,000 HOURS	
REGREASING INT. - ODE BEARING	7,000 HOURS	
MOUNTING	F2 (F1 SUITABLE)	
ROTATION	CW / CCW	
MOMENT OF INERTIA	11.46 LB. FT. SQUARED	
C-FLANGE	---	
D-FLANGE	---	
SHAFT MATERIAL	1045 CARBON STEEL	
CONNECTION DIAGRAM	230 / 460 V - 12 LEAD Δ	
APPROX. WEIGHT	667 LBS.	
LOAD	POWER FACTOR	EFFICIENCY (%)
100%	0.83	87.73
75%	0.77	88.95
50%	0.65	88.98





WORLDWIDE ELECTRIC MOTOR DRAWING
WWELUC-326T



MOUNTING					
E	2F1	2F2	H	BA	AB
6.25	10.5	12	0.66	5.25	12.795

A	B	C	D	G	J
15.275	13.9	31.02	8	0.984	2.76

KEY			KEYSEAT		SHAFT	
O	P	T	AA	AB	ES	S
16.27	15.74	2.46	2	12.795	3.91	0.5
					R	1.845
					N-W	5.25
					U	2.125

ALL DIMENSIONS IN INCHES