



**WORLDWIDE ELECTRIC MOTOR DATA SHEET**



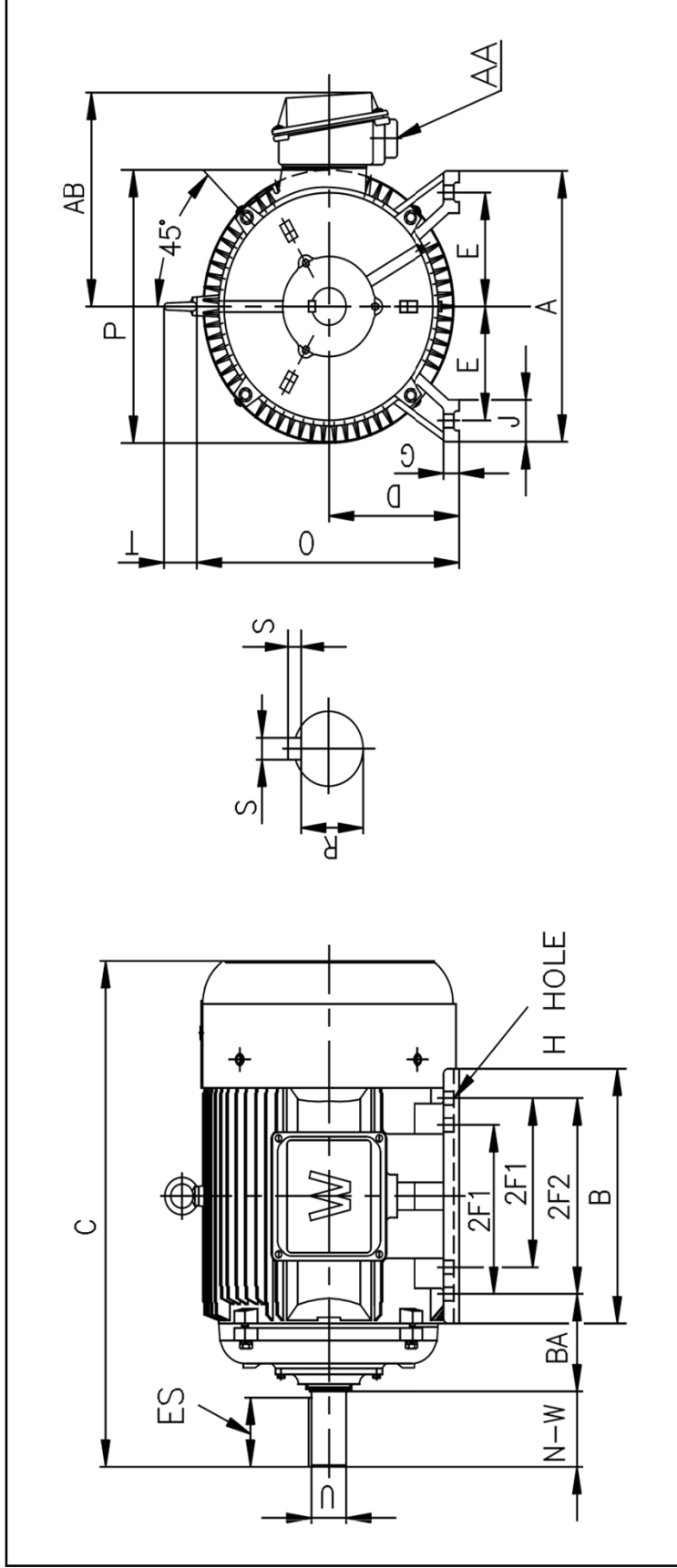
**WWELUC50-12-404T**

HP	50	
RPM / POLES	1200 / 6	
VOLTAGE / PHASE	230 / 460 / 796 V / 3	
FRAME	404T	
ENCLOSURE	TEFC (IP54)	
FREQUENCY	60 HZ	
RATED SPEED	1130 RPM	
FULL LOAD AMPS	123 / 61.5 / 35.5 A	
DUTY CYCLE	CONTINUOUS	
SERVICE FACTOR	1.15	
INSULATION CLASS	F	
AMBIENT TEMP.	40° C	
ALTITUDE	3300 FT.	
TEMP. RISE @ FULL LOAD	80° C	
DESIGN	D	
RATED TORQUE	232.3 LB. FT.	
LOCKED ROTOR TORQUE	309%	
BREAKDOWN TORQUE	365%	
LOCKED ROTOR AMPS (STARTING)	736 / 368 / 212 A	
IL / IN	6.2 / CODE G	
SLIP	5.64%	
NO LOAD CURRENT	52.0 / 26.0 / 15.0 A	
MAX. TIME LOCKED ROTOR (HOT)	20 SECONDS	
DE BEARING	NU317	
ODE BEARING	6313C3	
REGREASING INT. - DE BEARING	5,000 HOURS	
REGREASING INT. - ODE BEARING	7,000 HOURS	
MOUNTING	F2 (F1 SUITABLE)	
ROTATION	CW / CCW	
MOMENT OF INERTIA	30.65 LB. FT. SQUARED	
C-FLANGE	---	
D-FLANGE	---	
SHAFT MATERIAL	1045 CARBON STEEL	
CONNECTION DIAGRAM	230 / 460 V - 12 LEAD Δ	
APPROX. WEIGHT	995 LBS.	
LOAD	POWER FACTOR	EFFICIENCY (%)
100%	0.85	89.85
75%	0.80	90.64
50%	0.69	90.41





WORLDWIDE ELECTRIC MOTOR DRAWING  
**WWELUC-404T**



MOUNTING						
E	2F1	2F2	H	BA	A	B
8	12.25	13.75	0.81	6.62	19.055	17.716
					C	D
					38.66	10
					G	J
					1.338	3.15

KEY				KEYSEAT		SHAFT	
O	P	T	AA	ES	S	R	U
20.2	19.527	2.46	3	5.65	0.75	2.45	7.25
							2.875

ALL DIMENSIONS IN INCHES