



# WORLDWIDE ELECTRIC MOTOR DATA SHEET



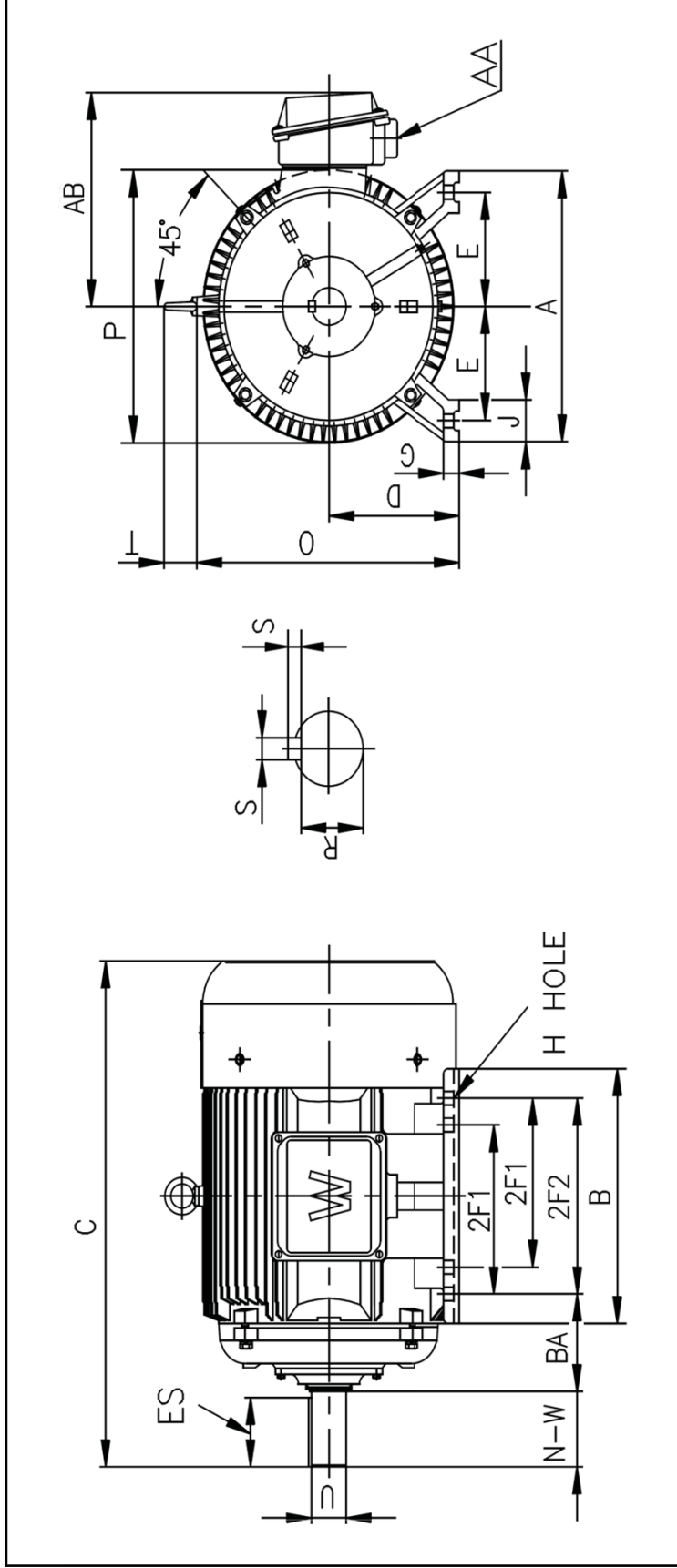
## WWELUC60-12-405T

HP	60	
RPM / POLES	1200 / 6	
VOLTAGE / PHASE	230 / 460 / 796 V / 3	
FRAME	405T	
ENCLOSURE	TEFC (IP54)	
FREQUENCY	60 HZ	
RATED SPEED	1120 RPM	
FULL LOAD AMPS	145.2 / 72.6 / 42.0 A	
DUTY CYCLE	CONTINUOUS	
SERVICE FACTOR	1.15	
INSULATION CLASS	F	
AMBIENT TEMP.	40° C	
ALTITUDE	3300 FT.	
TEMP. RISE @ FULL LOAD	80° C	
DESIGN	D	
RATED TORQUE	281.3 LB. FT.	
LOCKED ROTOR TORQUE	295%	
BREAKDOWN TORQUE	347%	
LOCKED ROTOR AMPS (STARTING)	870 / 435 / 251 A	
IL / IN	6.0 / CODE G	
SLIP	6.04%	
NO LOAD CURRENT	56.0 / 28.0 / 16.2 A	
MAX. TIME LOCKED ROTOR (HOT)	20 SECONDS	
DE BEARING	NU317	
ODE BEARING	6313C3	
REGREASING INT. - DE BEARING	5,000 HOURS	
REGREASING INT. - ODE BEARING	7,000 HOURS	
MOUNTING	F2 (F1 SUITABLE)	
ROTATION	CW / CCW	
MOMENT OF INERTIA	37.61 LB. FT. SQUARED	
C-FLANGE	---	
D-FLANGE	---	
SHAFT MATERIAL	1045 CARBON STEEL	
CONNECTION DIAGRAM	230 / 460 V - 12 LEAD Δ	
APPROX. WEIGHT	1085 LBS.	
LOAD	POWER FACTOR	EFFICIENCY (%)
100%	0.87	89.74
75%	0.82	90.74
50%	0.72	90.77





WORLDWIDE ELECTRIC MOTOR DRAWING  
**WWELUC-405T**



MOUNTING					
E	2F1	H	BA	A	B
8	12.25	13.75	0.81	19.055	17.716
C	D	G	J		
38.66	10	1.338	3.15		

KEY			KEYSEAT			SHAFT			
O	P	T	AA	AB	ES	S	R	N-W	U
20.2	19.527	2.46	3	17.716	5.65	0.75	2.45	7.25	2.875

ALL DIMENSIONS IN INCHES