



# WORLDWIDE ELECTRIC MOTOR DATA SHEET



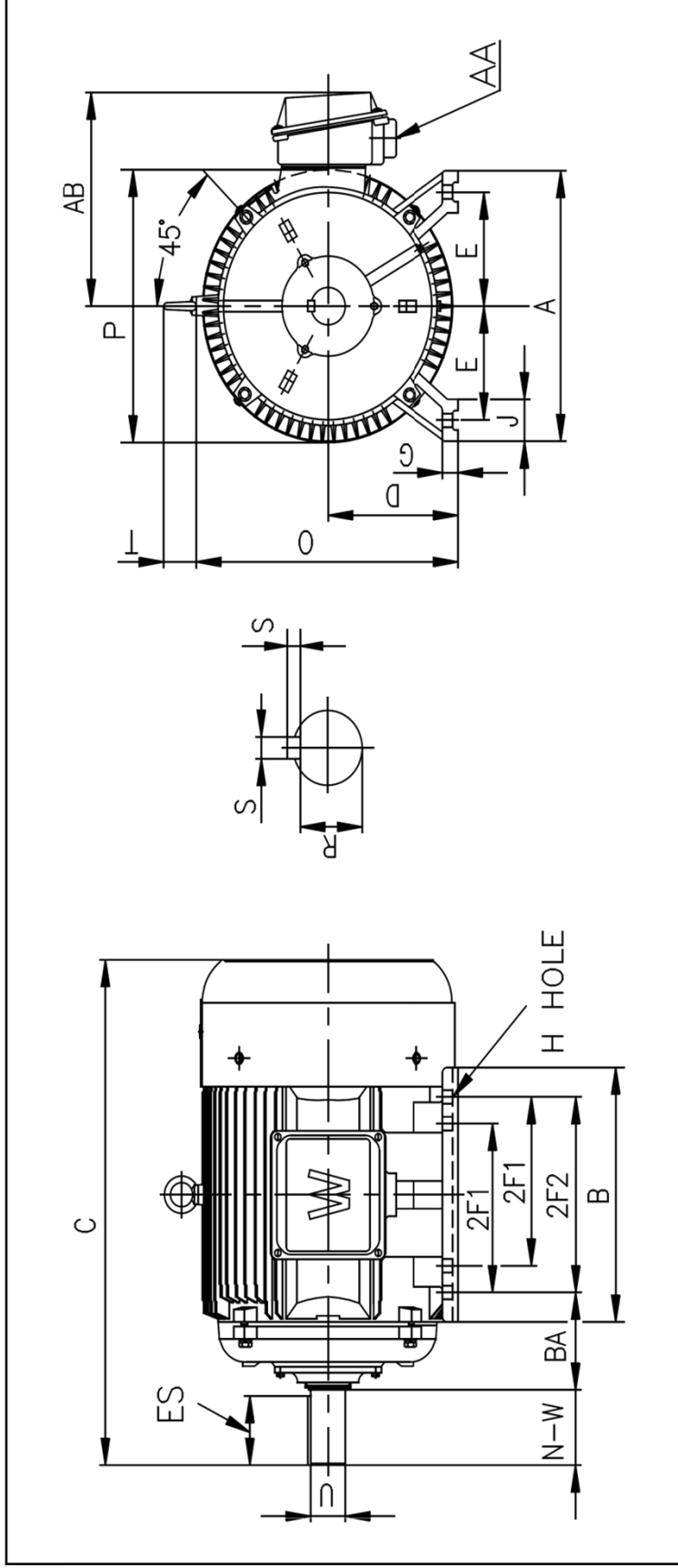
## WWELUC7.5-12-254T

HP	7.5	
RPM / POLES	1200 / 6	
VOLTAGE / PHASE	230 / 460 / 796 V / 3	
FRAME	254T	
ENCLOSURE	TEFC (IP54)	
FREQUENCY	60 HZ	
RATED SPEED	1120 RPM	
FULL LOAD AMPS	21.6 / 10.8 / 6.2 A	
DUTY CYCLE	CONTINUOUS	
SERVICE FACTOR	1.15	
INSULATION CLASS	F	
AMBIENT TEMP.	40° C	
ALTITUDE	3300 FT.	
TEMP. RISE @ FULL LOAD	80° C	
DESIGN	D	
RATED TORQUE	35.2 LB. FT.	
LOCKED ROTOR TORQUE	290%	
BREAKDOWN TORQUE	273%	
LOCKED ROTOR AMPS (STARTING)	118.8 / 59.4 / 34.3 A	
IL / IN	6.7 / CODE H	
SLIP	6.22%	
NO LOAD CURRENT	10.8 / 5.4 / 3.1 A	
MAX. TIME LOCKED ROTOR (HOT)	20 SECONDS	
DE BEARING	6309	
ODE BEARING	6309	
REGREASING INT. - DE BEARING	8,000 HOURS	
REGREASING INT. - ODE BEARING	8,000 HOURS	
MOUNTING	F2 (F1 SUITABLE)	
ROTATION	CW / CCW	
MOMENT OF INERTIA	2.16 LB. FT. SQUARED	
C-FLANGE	---	
D-FLANGE	---	
SHAFT MATERIAL	1045 CARBON STEEL	
CONNECTION DIAGRAM	230 / 460 V - 12 LEAD Δ	
APPROX. WEIGHT	297 LBS.	
LOAD	POWER FACTOR	EFFICIENCY (%)
100%	0.75	86.52
75%	0.69	87.11
50%	0.57	86.07





WORLDWIDE ELECTRIC MOTOR DRAWING  
**WWELUC-254T**



MOUNTING				
E	2F1	2F2	H	BA
5	8.25	10	0.53	4.25

KEY			KEYSEAT			SHAFT			
O	P	T	AA	AB	ES	S	R	N-W	U
13.32	12.992	2.063	1.5	10.78	2.91	0.375	1.416	4	1.625

ALL DIMENSIONS IN INCHES